

2-Horse Bumper Pull Manger

**Safe,
Comfortable,
Versatile
and Stylish.**

HAWK's design experience and attention to detail equals unmatched quality and value. Travel in confidence with the industry leader.

**Twin swing full height doors provide
Easy and safe loading.**

Standard Features Include:

- Fully Lined and Insulated Walls and Doors
- White or Pewter Aluminum Outer Shell
- Custom Painted Accent Color
- Fiberglass Roof and Fenders
- Powder Coated Removable Interior Parts
- L.E.D. lights
- Sealed Fuse Box
- Transferable Warranty



Hawk
T R A I L E R S

Hawk

TRAILERS

HAWK TRAILERS

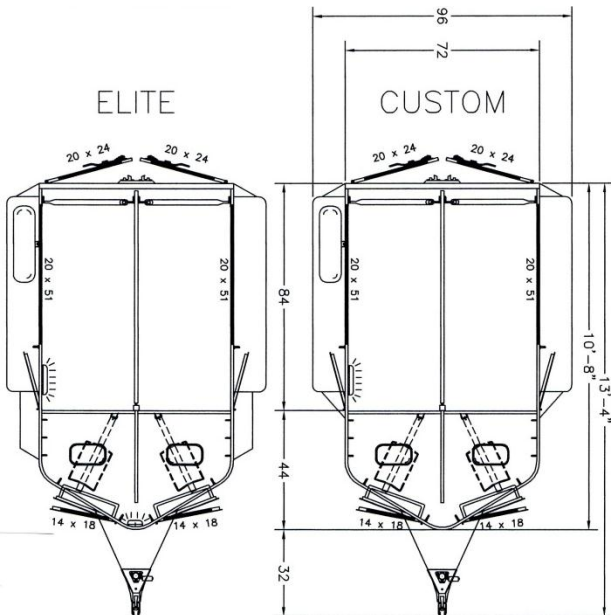
2 Horse Bumper Pull Manger

	17'10"	17'10"	13'4"	13'4"
	w/dress Custom	w/dress Elite	Custom	Elite
Overall Length	17'10"	17'10"	13'4"	13'4"
Width 72"	S	S	S	S
Shall Length 7'	S	S	S	S
Inside Height 7'4"	S	S	S	S
2-5/16" wedge lock coupler	S	S	S	S
Sidewind Jack w/sandfoot in coupler Elite only dolly/wheel	S	S	S	S
Axle Capacity 7000# w/4 wheel electric brakes	S	S	S	S
ST205/75R15(C) Radial Silver rims, Elite Aluminum rims	S	S	S	S
Spare Tire & rim mounted inside no cover w/dress	S	S	outside	outside
Front wedge w/20x24 wdws	S	S	n/a	n/a
20x24 wdw in dress door	O	S	n/a	n/a
14x18 wdw in feed door	O	20X24	20X24	S
Twin swing rear doors w/20x24 windows	S	S	S	S
Tack under manger	S	S	S	S
Separate tack compartment	O	S	n/a	n/a
Sidewall wdw 20x51 (1) each side	S	S	S	S
Carpet on floor in dress	S	S	n/a	n/a
Carpet on bulkhead wall	O	S	n/a	n/a
Saddle racks	2	2	2	2
Bridle hook set bolt on (6) aluminum	S	S	S	S
Door tie backs on all doors	S	S	S	S
Aluminum running boards	O	S	O	S
Diamond plate on steps, & tongue	S	S	S	S
Diamond plate on fenders half, full length Elite only	S	O	S	S
Diamond plate on nose, 18" high	O	S	S	S
Rubberline sidewalls & rear doors	O	S	O	S
Rubberline kneewall	O	S	O	S
Butt bar pads	S	S	S	S
Chest pads	S	S	S	S
Divider & sidewall pads	1"	2"	1"	2"
Rear header pad	S	S	S	S
Floor mats 5/8"	S	S	S	S
Roof vents	2	2	2	2
Brush tray on dress door	S	S	n/a	n/a
Brush tray and towel bar on tack door	n/a	S	n/a	n/a
Interior head ties (3) per stall	S	S	S	S
Exterior head ties (1) per horse	S	S	S	S
Fuse block	2	4	1	2
Dome lights	S	S	S	S
Remote switch interior lights	S	S	S	S
D.O.T Lighting	S	S	S	S
Empty trailer weight	3465 lbs	2820 lbs	2820 lbs	2820 lbs
Warranty	5yr	7yr	5yr	7yr

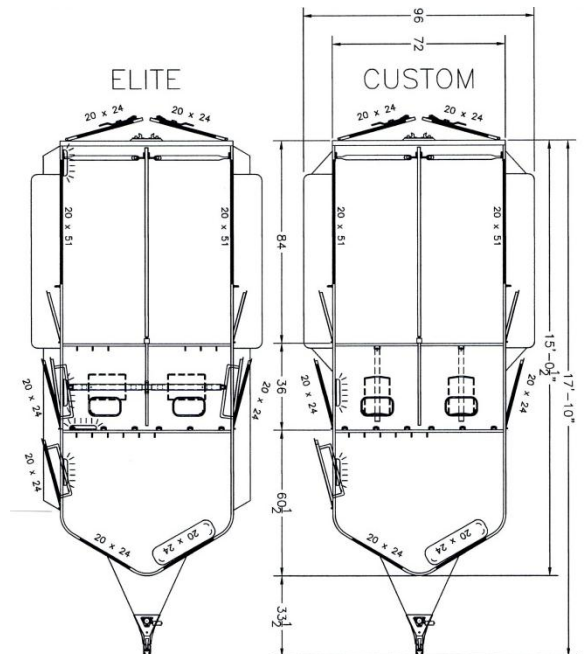
HAWK TRAILERS RESERVES THE RIGHT TO CHANGE SPECIFICATIONS AND PRICES WITHOUT NOTICE

EFFECTIVE 3/10/11

2-Horse Bumper Pull Manger



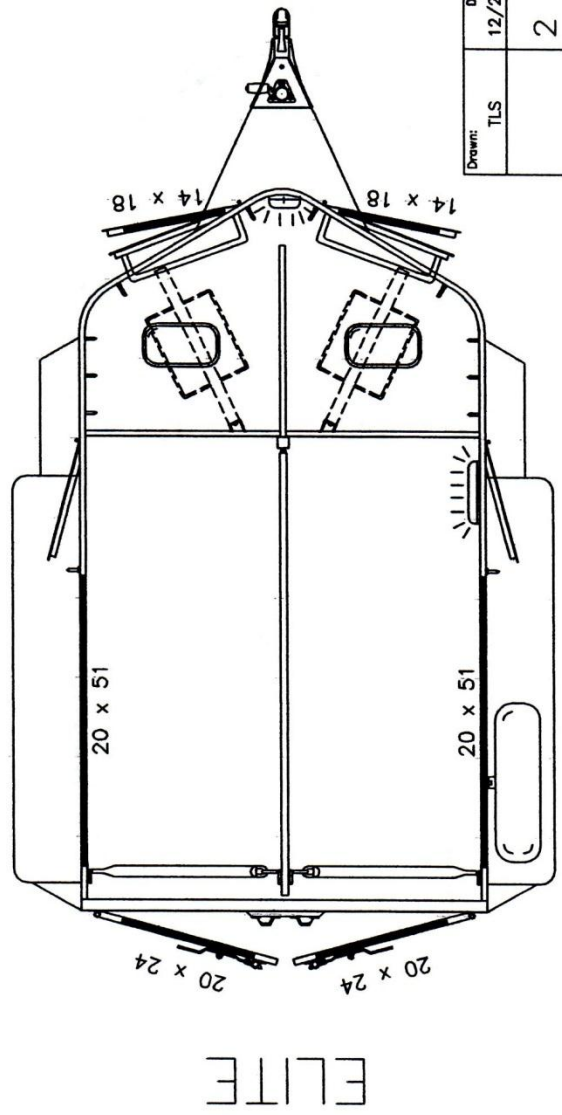
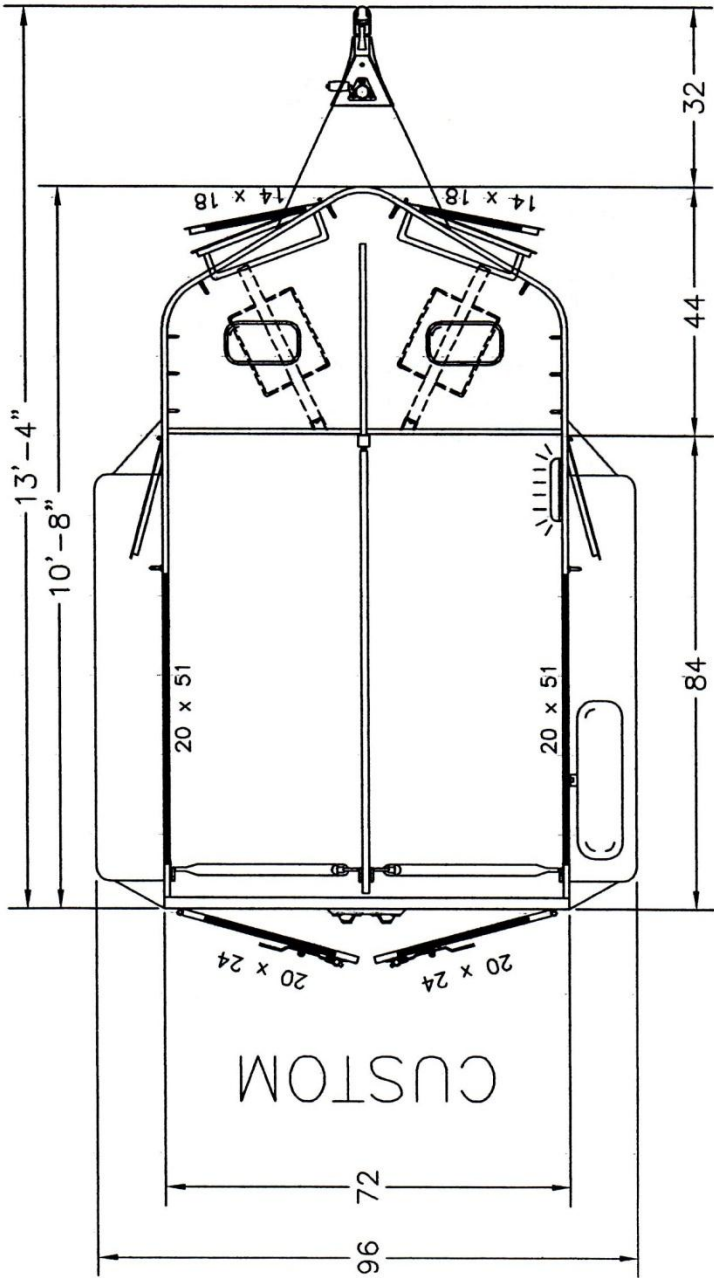
2-Horse Bumper Pull Manger With Dress




HAWK TRAILERS

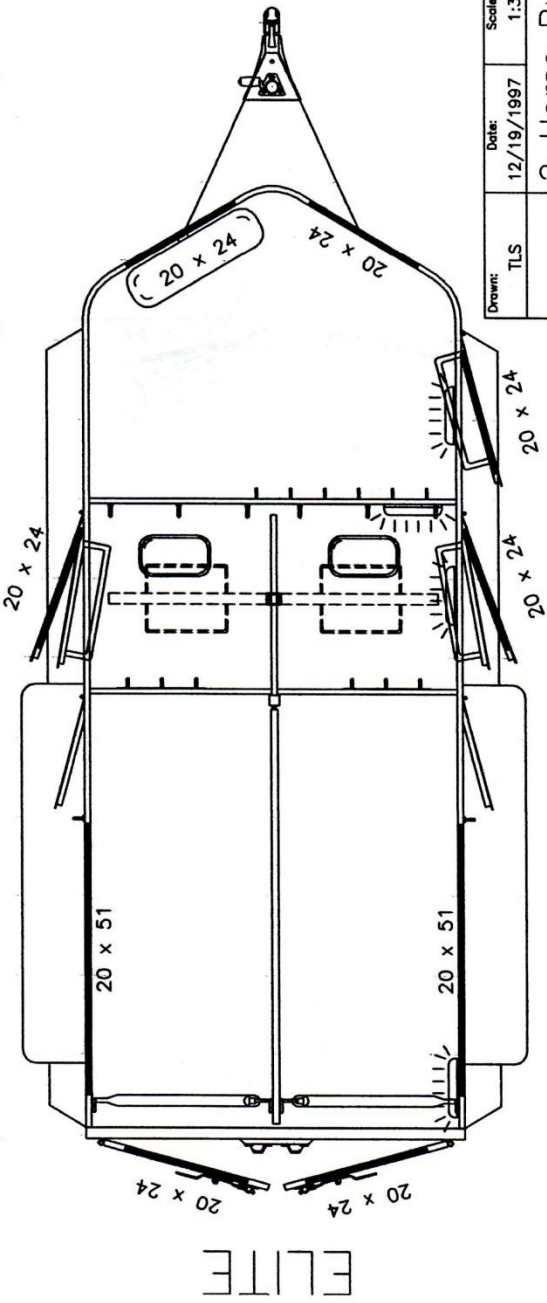
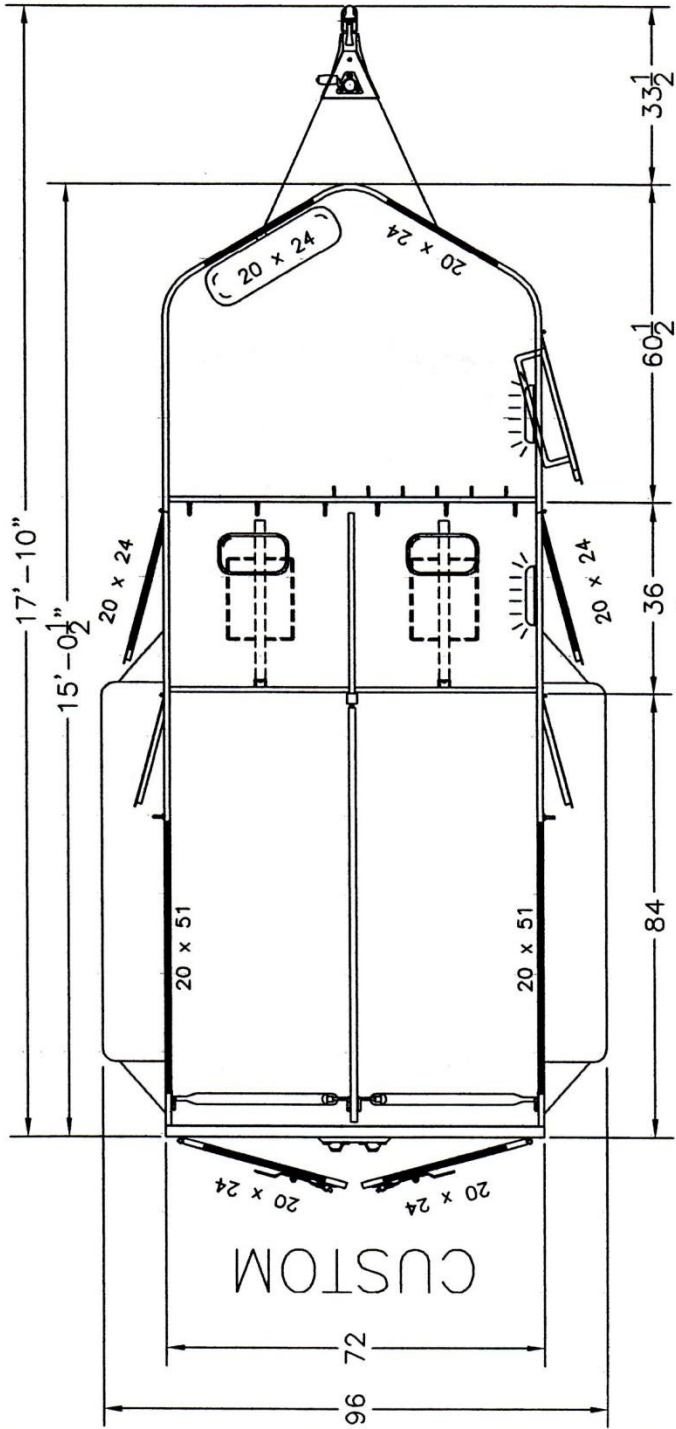
2 Horse Bumper Pull Manger

	w/dress Custom	w/dress Elite	Custom	Elite
Overall Length	17'10"	17'10"	13'4"	13'4"
Width 72"	S	S	S	S
Stall Length 7'	S	S	S	S
Inside Height 7'4"	S	S	S	S
2-5/16" wedge lock coupler	S	S	S	S
Sidewind Jack w/sandfoot in coupler Elite only dollywheel	S	S	S	S
Axle Capacity 7000# w/4 wheel electric brakes	S	S	S	S
ST20575R15(C) Radial Silver rims, Elite Aluminum rims	S	S	S	S
Spare Tire & rim mounted inside no cover w/dress	S	S	outside	outside
Front wedge w/20x24 wdws	S	S	n/a	n/a
20x24 wdw in dress door	O	S	n/a	n/a
14x18 wdw in feed door	20X24	20X24	S	S
Twin swing rear doors w/20x24 windows	S	S	S	S
Tack under manger	S	S	S	S
Separate tack compartment	O	S	n/a	n/a
Sidewall wdw 20x51 (1) each side	S	S	S	S
Carpet on floor in dress	S	S	n/a	n/a
Carpet on bulkhead wall	O	S	n/a	n/a
Saddle racks	2	2	2	2
Bridle hook set bolt on (6) aluminum	S	S	S	S
Door tie backs on all doors	S	S	S	S
Aluminum running boards	O	S	O	S
Diamond plate on steps, & tongue	S	S	S	S
Diamond plate on fenders half, full length Elite only	S	S	S	S
Diamond plate on nose, 18" high	O	S	O	S
Rubberline sidewalls & rear doors	S	S	S	S
Rubberline kneewall	O	S	O	S
Butt bar pads	O	S	O	S
Chest pads	S	S	S	S
Divider & sidewall pads	1"	2"	1"	2"
Rear header pad	S	S	S	S
Floor mats 5/8"	S	S	S	S
Roof vents	2	2	2	2
Brush tray on dress door	S	S	n/a	n/a
Brush tray and towel bar on tack door	n/a	s	n/a	n/a
Interior head ties (3) per stall	S	S	S	S
Exterior head ties (1) per horse	S	S	S	S
Fuse block	S	S	S	S
Dome lights	2	4	1	2
Remote switch interior lights	O	S	O	S
D.O.T Lighting	S	S	S	S
Empty trailer weight	3465 lbs		2620 lbs	
Limited warranty on all products. See dealer for details.	5yr	7yr	5yr	7yr



Drawn: TLS	Date: 12/22/1997	Scale: 1:30	Tolerance: $\pm \frac{1}{16}$	Rev. 5/2/05
2 Horse Bumper Pull Manger				
 <i>Horse Trailer</i> MANAWA, WI				

2 Horse Bumper Pull Manger



Drawn: TLS	Date: 12/19/1997	Scale: 1:32	Tolerance: + 1/16 - 1/16	Rev. 5/2/05
2 Horse Bumper Pull Manger With Dress				
<i>Hawk Trailers</i>				
MANAWA, WI				

2 Horse Bumper Pull Manger With Dress