

# 2 & 4 Horse Gooseneck Walk-Thru Classic



**Safe,  
Comfortable,  
Versatile  
and Stylish.**

HAWK's design experience and attention to detail equals unmatched quality and value. Travel in confidence with the industry leader.



## **Standard Features Include:**

- Fully Lined and Insulated Walls and Doors
- White or Silver Aluminum Outer Shell
- Custom Painted Accent Color
- Fiberglass Roof and Fenders
- Powder Coated Removable Interior Parts
- T-Coated Latches and Hardware
- Transferrable Warranty
- Sealed Fuse Box



**Hawk**  
TRAILERS

# Hawk

TRAILERS



## HAWK TRAILERS

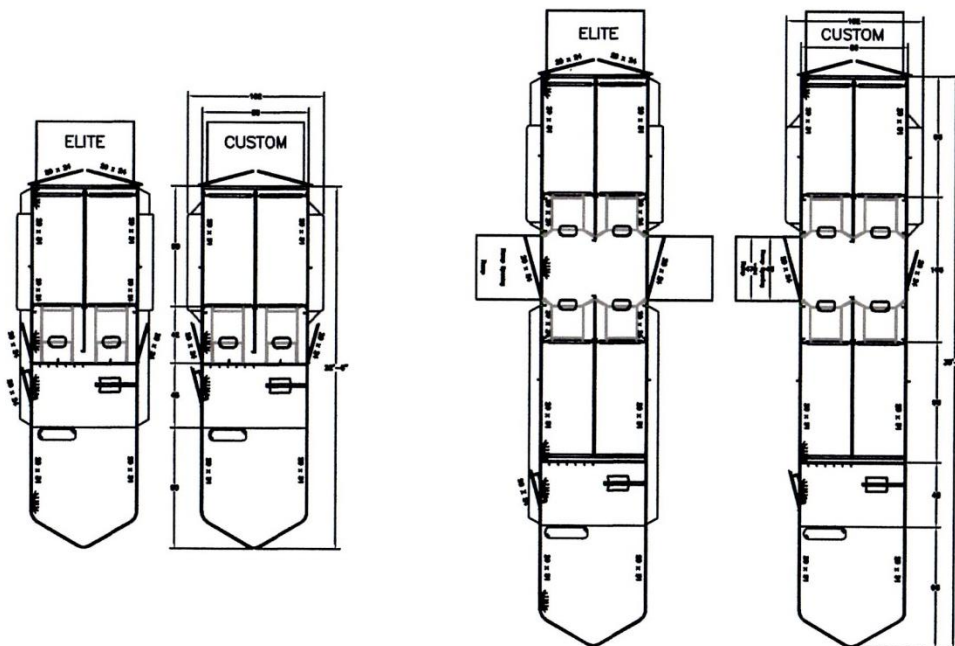
### 2 & 4 Horse Gooseneck Walk Thru Classic

Overall Length	22'6"	2 H. w/dress Custom	22'6"	2 H. w/dress Elite	35'6"	4 H. w/dress Custom	35'6"	4 H. w/dress Elite
Width 80"	S	S	S	S	S	S	S	S
Stall Length 7'-6"	S	S	S	S	S	S	S	S
Inside Height 7'8"	S	S	S	S	S	S	S	S
2-5/16" Stallion Gooseneck coupler	S	O	S	O	S	O	S	O
2-5/16" Fulton Gooseneck coupler w/cable release	O	S	O	S	O	S	O	S
Single speed single leg jack	S	S	S	S	S	S	S	S
Dual speed single leg jack	n/a	n/a	n/a	n/a	n/a	n/a	n/a	n/a
Axle Capacity 10400# w/4 wheel electric brakes	S	S	S	S	12000	S	12000	S
ST22575R15(D) Radial Silver rims, Elite Aluminum fims	S	S	S	S	n/a	S	n/a	S
ST23580R16(E) Radial Silver rims, Elite Aluminum fims	n/a	n/a	n/a	n/a	S	S	S	S
Spare Tire & rim w/nyl cover	S	S	S	S	S	S	S	S
GN sidewall wdw 20x51 (1) each side	S	S	S	S	S	S	S	S
20x24 wdw in dress door	O	O	O	O	O	O	O	O
20x24 wdw in walk thru door	S	S	S	S	S	S	S	n/a
20x24 wdw at horses head area	O	O	O	O	O	O	O	O
4' D.S. ramp & storm w/stainless steel cam latches & 20x24 wdw	n/a	n/a	n/a	n/a	S	S	S	S
4' R.S. ramp & storm w/stainless steel cam latches & 20x24 wdw	n/a	n/a	n/a	n/a	O	O	O	O
Storm doors & stainless steel cam latches	O	S	S	S	O	S	S	S
Storm door windows 20x24	O	S	S	S	O	S	S	S
Sidewall wdw 20x51	2	2	2	2	4	4	4	4
Carpet on floor in dress & Gooseneck floor	O	S	S	S	O	S	S	S
Carpet on bulkhead wall & jacksheet wall	O	S	S	S	O	S	S	S
Saddle racks	2	2	2	2	4	4	4	4
Bridle hook set bolt on (6) aluminum	S	S	S	S	S	S	S	S
Door the backs all doors	S	S	S	S	S	S	S	S
Aluminum running boards	O	S	S	S	O	S	S	S
Diamond plate on fenders & steps Elite only full fenders	S	S	S	S	S	S	S	S
Diamond plate on GN gussets & 18" under G.N.	S	S	S	S	S	S	S	S
Rubberline sidewalls	O	S	S	S	O	S	S	S
Breast/butt bar pads	1"	2"	1"	2"	1"	2"	1"	2"
Divider & sidewall pads	S	S	S	S	S	S	S	S
Rear header pad	S	S	S	S	S	S	S	S
Floor mats 5/8"	S	S	S	S	S	S	S	S
Roof vents	2	2	2	2	4	4	4	4
Brush tray on dress door	S	S	S	S	S	S	S	S
Square feed bag (1) per stall	S	S	S	S	S	S	S	S
Interior head ties (3) per stall	S	S	S	S	S	S	S	S
Exterior head ties (1) per horse	S	S	S	S	S	S	S	S
Fuse block	S	S	S	S	S	S	S	S
Dome lights	2	4	3	5	3	5	3	5
Remote switch horse area lights	O	S	O	S	O	S	O	S
D.O.T Lighting	S	S	S	S	S	S	S	S
Empty trailer weight	4675 lbs	4675 lbs	7420 lbs	7420 lbs	7420 lbs	7420 lbs	7420 lbs	7420 lbs
Limited warranty on all products. See dealer for details.	7yr	7yr	7yr	7yr	7yr	7yr	7yr	7yr

HAWK TRAILERS RESERVES THE RIGHT TO MAKE CHANGES TO SPECIFICATIONS AND PRICES WITHOUT NOTICE.

EFFECTIVE 5/9/12

## 2 Horse Gooseneck Walk-Thru With Dress      4 Horse Gooseneck Head to Head

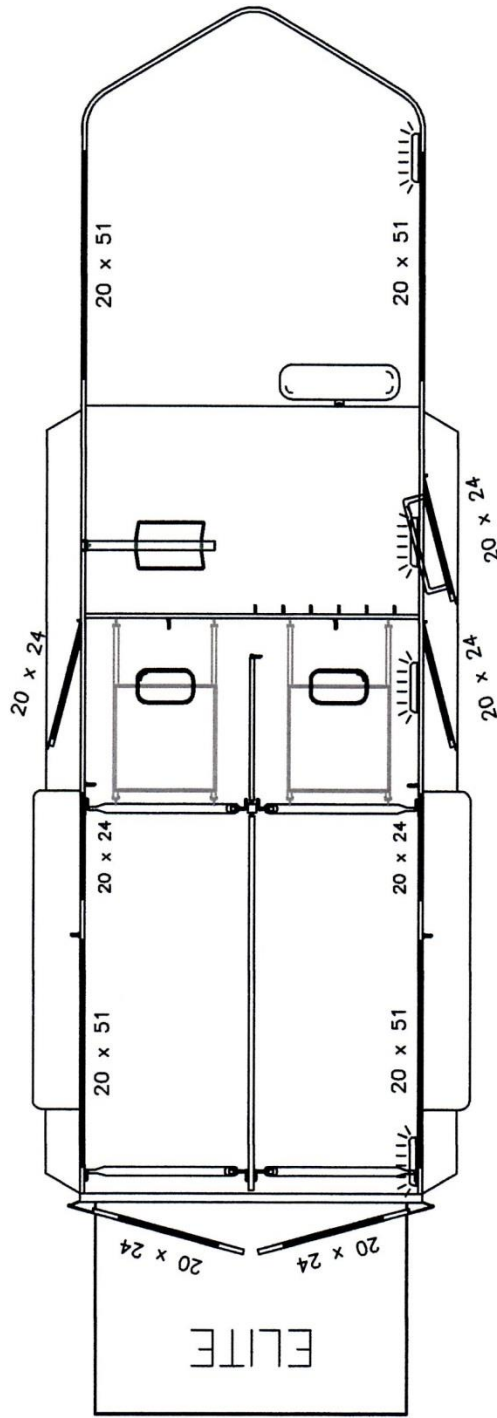
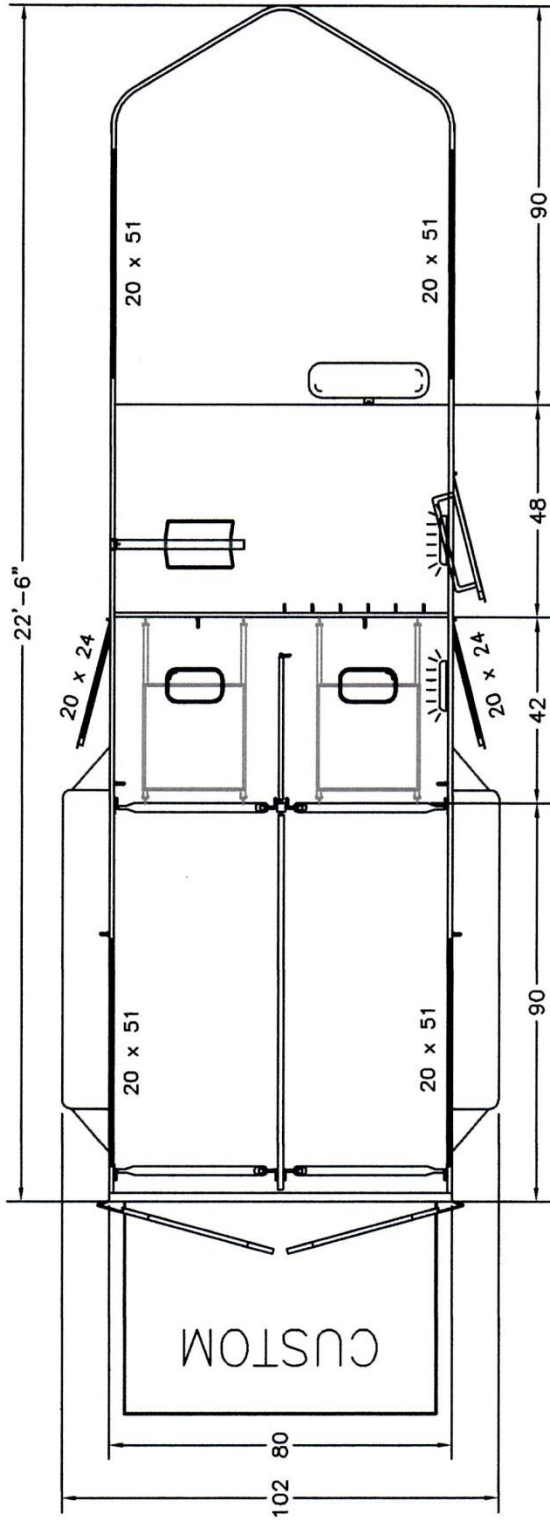




## HAWK TRAILERS

### 2 & 4 Horse Gooseneck Walk Thru Classic

	2 H. w/dress Custom	2 H. w/dress Elite	4 H. w/dress Custom	4 H. w/dress Elite
Overall Length	22'6"	22'6"	35'6"	35'6"
Width 80"	S	S	S	S
Stall Length 7'-6"	S	S	S	S
Inside Height 7'8"	S	S	S	S
2-5/16" Stallion Gooseneck coupler	S	O	S	O
2-5/16" Fulton Gooseneck coupler w/cable release	O	S	O	S
Single speed single leg jack	S	S	n/a	n/a
Dual speed single leg jack	n/a	n/a	S	S
Axle Capacity 10400# w/4 wheel electric brakes	S	S	12000	12000
ST22575R15(D) Radial Silver rims, Elite Aluminum rims	S	S	n/a	n/a
ST23580R16(E) Radial Silver rims, Elite Aluminum rims	n/a	n/a	S	S
Spare Tire & rim w/vinyl cover	S	S	S	S
GN sidewall wdw 20x51 (1) each side	S	S	S	S
20x24 wdw in dress door	O	S	O	S
20x24 wdw in walk thru door	S	S	S	n/a
20x24 wdws at horses head area	O	S	O	S
4' D.S. ramp & storm w/stainless steel cam latches &/ 20x24 wdw	n/a	n/a	S	S
4' R.S. ramp & storm w/stainless steel cam latches &/ 20x24 wdw	n/a	n/a	O	S
Storm doors & stainless steel cam latches	S	S	S	S
Storm door windows 20x24	O	S	O	S
Sidewall wdw 20x51	2	2	4	4
Carpet on floor in dress & Gooseneck floor	S	S	S	S
Carpet on bulkhead wall & jacksheet wall	O	S	O	S
Saddle racks	2	2	4	4
Bridle hook set bolt on (6) aluminum	S	S	S	S
Door tie backs all doors	S	S	S	S
Aluminum running boards	O	S	O	S
Diamond plate on fenders & steps Elite only full fenders	S	S	S	S
Diamond plate on GN gussets & 18" under G.N.	S	S	S	S
Rubberline sidewalls	S	S	S	S
Breast/butt bar pads	O	S	O	S
Divider & sidewall pads	1"	2"	1"	2"
Rear header pad	S	S	S	S
Floor mats 5/8"	S	S	S	S
Roof vents	2	2	4	4
Brush tray on dress door	S	S	S	S
Square feed bag (1) per stall	S	S	S	S
Interior head ties (3) per stall	S	S	S	S
Exterior head ties (1) per horse	S	S	S	S
Fuse block	S	S	S	S
Dome lights	2	4	3	5
Remote switch horse area lights	O	S	O	S
D.O.T Lighting	S	S	S	S
Empty trailer weight	4675 lbs		7420 lbs	
Limited warranty on all products. See dealer for details.	7yr	7yr	7yr	7yr



2 Horse Gooseneck Walk-Thru With Dress Classic

Drawn: TLS	Date: 12/17/1997	Scale: 1:36	Tolerance: $\pm \frac{1}{16}$	Rev. 12/21/07
134	2 Horse Gooseneck Walk-Thru With Dress Classic			
		<i>Hawk Trailers</i> MANAWA, WI		

