

2 & 4 Horse Gooseneck Walk-Thru

**Safe,
Comfortable,
Versatile
and Stylish.**

HAWK's design experience and attention to detail equals unmatched quality and value. Travel in confidence with the industry leader.



Ramp with upper storm doors offer optimum versatility with ease of handling.

Standard Features Include:

- Fully Lined and Insulated Walls and Doors
- White or Silver Aluminum Outer Shell
- Custom Painted Accent Color
- Fiberglass Roof and Fenders
- Powder Coated Removable Interior Parts
- T-Coated Latches and Hardware
- Transferrable Warranty
- Sealed Fuse Box



Hawk
T R A I L E R S



T R A I L E R S

2 & 4 Horse Gooseneck Walk Thru

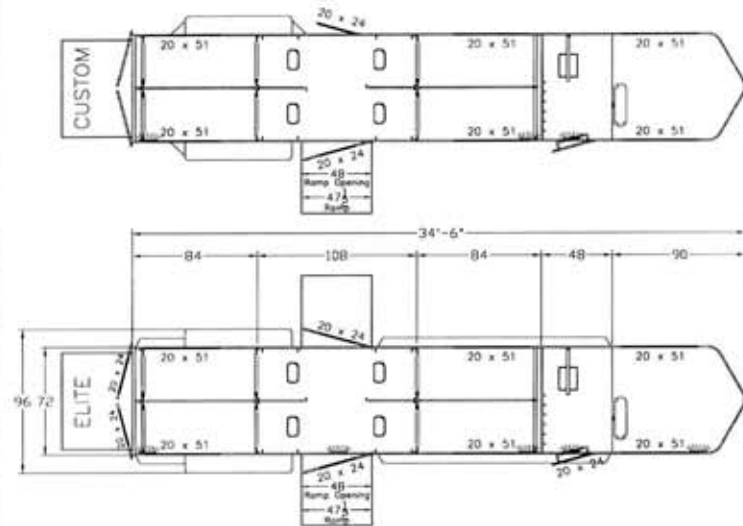
	2 H. w/dress Custom	2 H. w/dress Elite	4 H. Head to Head w/dress Custom	4 H. Head to Head w/dress Elite
Overall Length	21'6"	21'6"	34'6"	34'6"
Width 72"	S	S	S	S
Stall Length 7'	S	S	S	S
Inside Height 7'6"	S	S	S	S
2-5/16" Stallion Gooseneck coupler	S	O	S	O
2-5/16" Fulton Gooseneck coupler w/cable release	O	S	O	S
Single speed single leg jack	S	S	n/a	n/a
Dual speed single leg jack	n/a	n/a	S	S
Axle Capacity 7000# w/4 wheel electric brakes	S	S	12000	12000
ST22575R15(C) Radial Silver rims, Elite Aluminum rims	S	S	n/a	n/a
ST23580R16(D) Radial Silver rims, Elite Aluminum rims	n/a	n/a	S	S
Spare Tire & rim w/vinyl cover	S	S	S	S
Gooseneck sidewall wdw 20x51 (1) each side	S	S	S	S
20x24 wdw in dress door	O	S	O	S
20x24 wdw in walk thru door	S	S	n/a	n/a
4' D.S. ramp & storm w/stainless steel cam &/ 20x24 wdw	n/a	n/a	S	S
4' R.S. ramp & storm w/stainless steel cam &/ 20x24 wdw	n/a	n/a	O	S
Storm Doors & stainless steel cam latches	S	S	S	S
Storm door windows 20x24	O	S	O	S
Sidewall wdw 20x51	2	2	4	4
Carpet on floor in dress & Gooseneck floor	S	S	S	S
Carpet on bulkhead wall & jacksheet wall	O	S	O	S
Saddle racks	2	2	4	4
Bridle hook set bolt on (6) aluminum	S	S	S	S
Door tie backs on all doors	S	S	S	S
Aluminum running boards	O	S	O	S
Diamond plate on fenders & steps Elite only full fenders	S	S	S	S
Diamond plate on gooseneck gussets & 18" under nose	O	S	O	S
Rubberline sidewalls	S	S	S	S
Breast/butt bar pads	O	S	O	S
Divider & sidewall pads	1"	2"	1"	2"
Rear header pad	S	S	S	S
Floor mats 5/8"	S	S	S	S
Roof vents	2	2	4	4
Brush tray on dress door	S	S	S	S
Square feed bags (1) per stall	S	S	S	S
Interior head ties (3) per stall	S	S	S	S
Exterior head ties (1) per horse	S	S	S	S
Fuse block	S	S	S	S
Dome lights	2	4	3	5
D.O.T Lighting	S	S	S	S
Empty trailer weight	4100 lbs		5900 lbs	
Limited warranty on all products. See dealer for details.	5yr	7yr	5yr	7yr

HAWK TRAILER RESERVES THE RIGHT TO CHANGE SPECIFICATIONS AND PRICES WITHOUT NOTICE

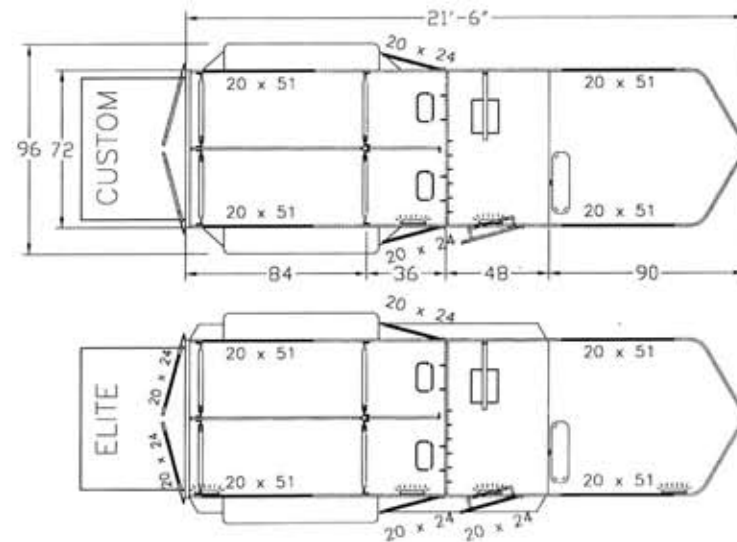
Some trailers pictured with optional equipment.

EFFECTIVE 3/21/24

4 Horse Gooseneck Head to Head With Dress



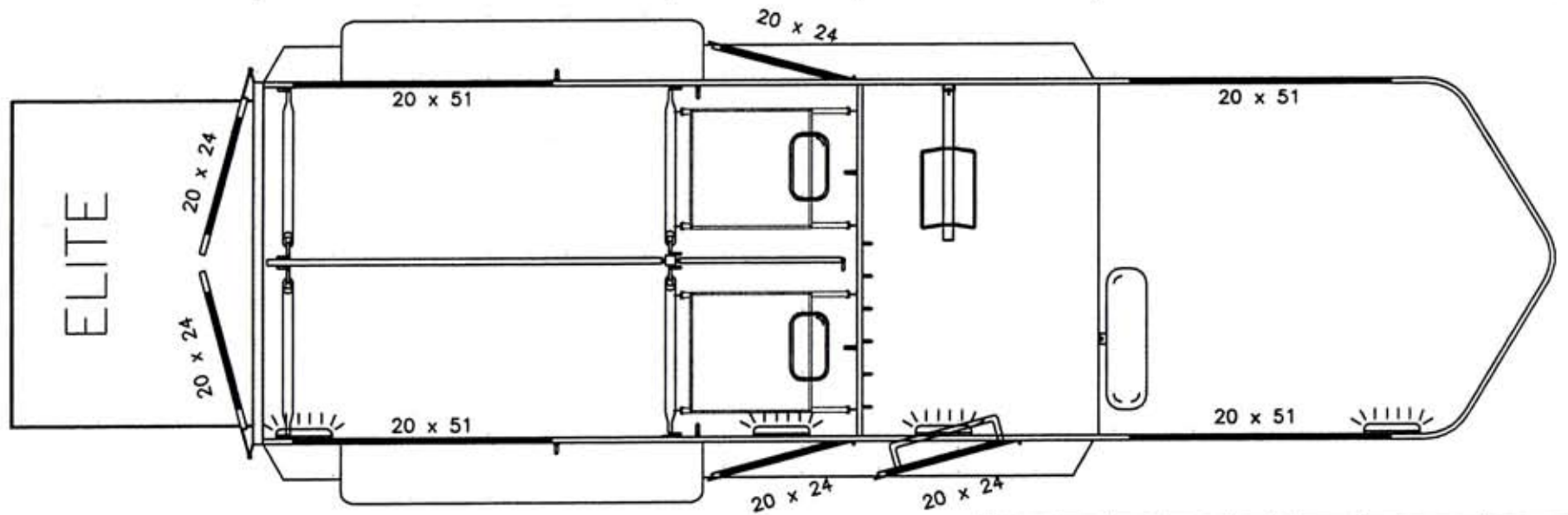
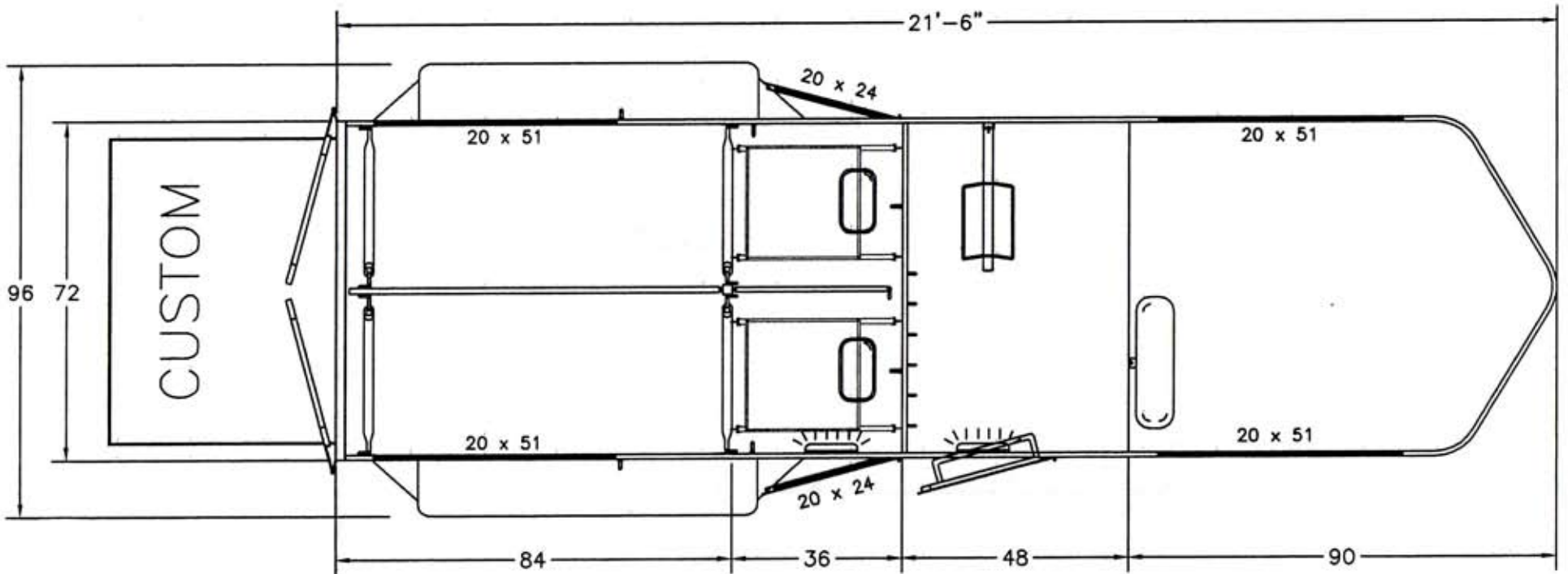
2 Horse Gooseneck Walk-Thru With Dress




HAWK TRAILERS

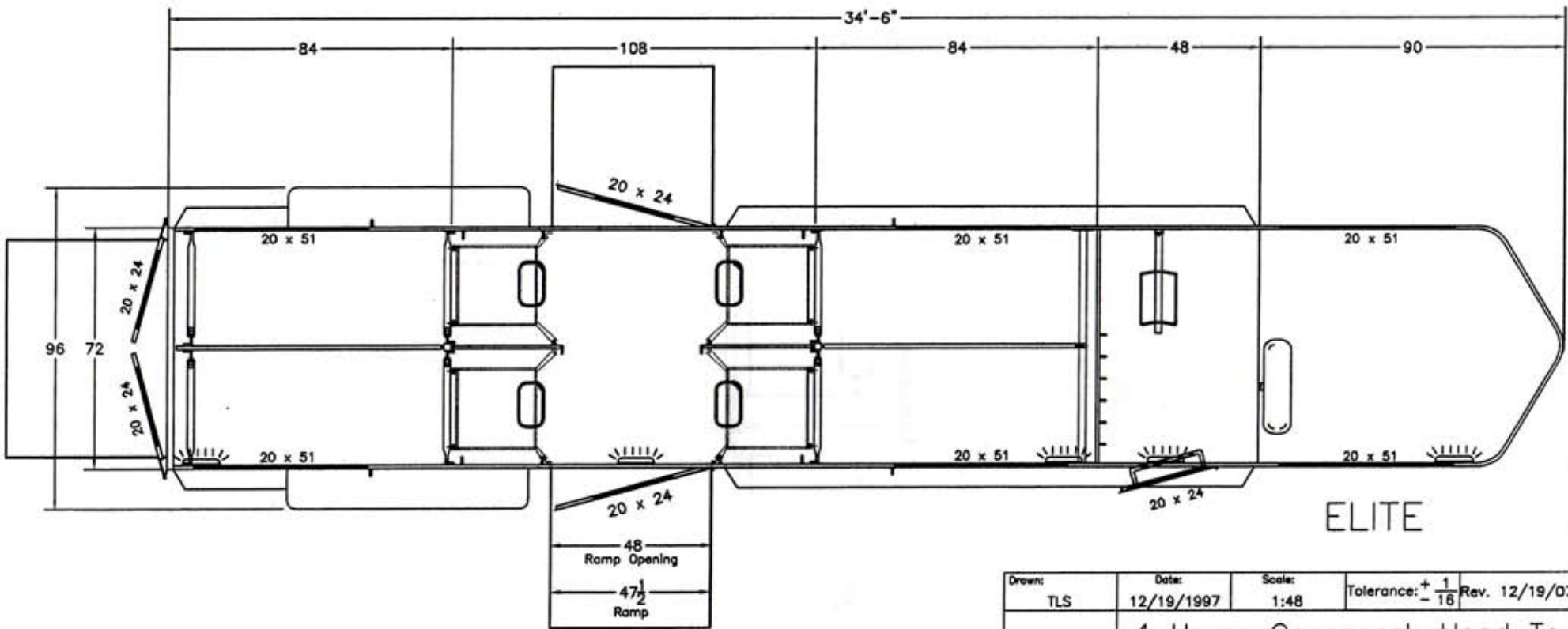
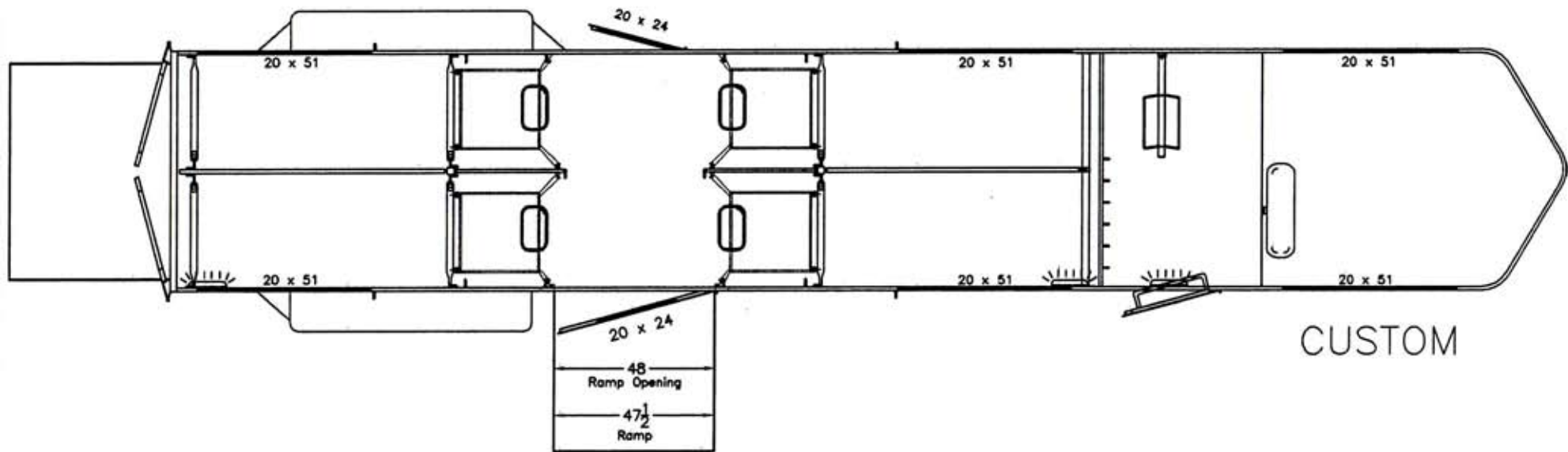
2 & 4 Horse Gooseneck Walk Thru

	2 H. w/dress Custom	2 H. w/dress Elite	4 H. Head to Head w/dress Custom	4 H. Head to Head w/dress Elite
Overall Length	21'6"	21'6"	34'6"	34'6"
Width 72"	S	S	S	S
Stall Length 7'	S	S	S	S
Inside Height 7'6"	S	S	S	S
2-5/16" Stallion Gooseneck coupler	O	O	O	O
2-5/16" Fulton Gooseneck coupler w/cable release	S	S	S	S
Single speed single leg jack	S	S	n/a	n/a
Dual speed single leg jack	n/a	n/a	S	S
Axle Capacity 7000# w/4 wheel electric brakes	S	S	12000	12000
ST22575R15(D) Radial Silver rims, Elite Aluminum rims	S	S	n/a	n/a
ST23580R16(E) Radial Silver rims, Elite Aluminum rims	n/a	n/a	S	S
Spare Tire & rim w/vinyl cover	S	S	S	S
Gooseneck sidewall wdw 20x51 (1) each side	S	S	S	S
20x24 wdw in dress door	O	S	O	S
20x24 wdw in walk thru door	S	S	S	n/a
4' D.S. ramp & storm w/stainless steel cam &/ 20x24 wdw	n/a	n/a	S	S
4' R.S. ramp & storm w/stainless steel cam &/ 20x24 wdw	n/a	n/a	O	S
Storm Doors & stainless steel cam latches	S	S	S	S
Storm door windows 20x24	O	S	O	S
Sidewall wdw 20x51	2	2	4	4
Carpet on floor in dress & Gooseneck floor	S	S	S	S
Carpet on bulkhead wall & jacksheet wall	O	S	O	S
Saddle racks	2	2	4	4
Bridle hook set bolt on (6) aluminum	S	S	S	S
Door tie backs on all doors	S	S	S	S
Aluminum running boards	O	S	O	S
Diamond plate on fenders & steps Elite only full fenders	S	S	S	S
Diamond plate on gooseneck gussets & 18" under nose	O	S	O	S
Rubberline sidewalls	S	S	S	S
Breast/butt bar pads	O	S	O	S
Divider & sidewall pads	1"	2"	1"	2"
Rear header pad	S	S	S	S
Floor mats 5/8"	S	S	S	S
Roof vents	2	2	4	4
Brush tray on dress door	S	S	S	S
Square feed bags (1) per stall	S	S	S	S
Interior head ties (3) per stall	S	S	S	S
Exterior head ties (1) per horse	S	S	S	S
Fuse block	S	S	S	S
Dome lights	2	4	3	5
Remote switch interior lights	O	S	O	S
D.O.T Lighting	S	S	S	S
Empty trailer weight	4100 lbs		6900 lbs	
Limited warranty on all products. See dealer for details.	5yr	7yr	5yr	7yr




2 Horse Gooseneck Walk-Thru With Dress

Drawn: TLS	Date: 12/15/1997	Scale: 1:48	Tolerance: $\begin{matrix} + \\ - \end{matrix} \frac{1}{16}$	Rev. 12/19/07
2 Horse Gooseneck Walk-Thru With Dress				
 Hawk Trailers MANAWA, WI				

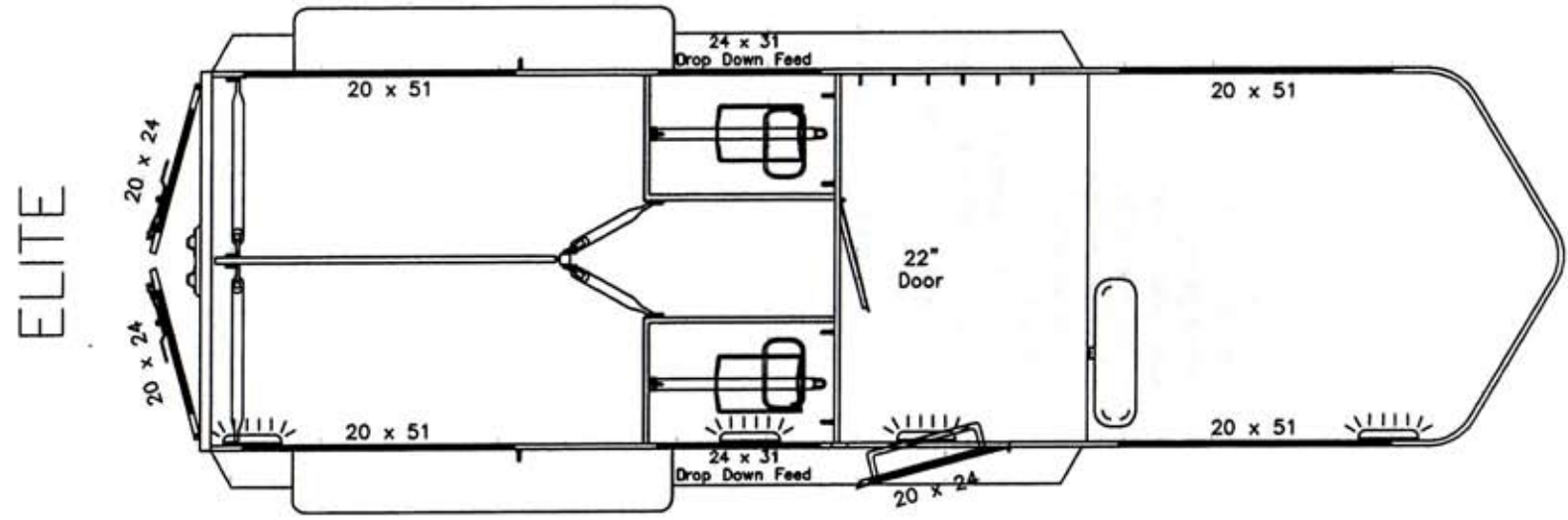
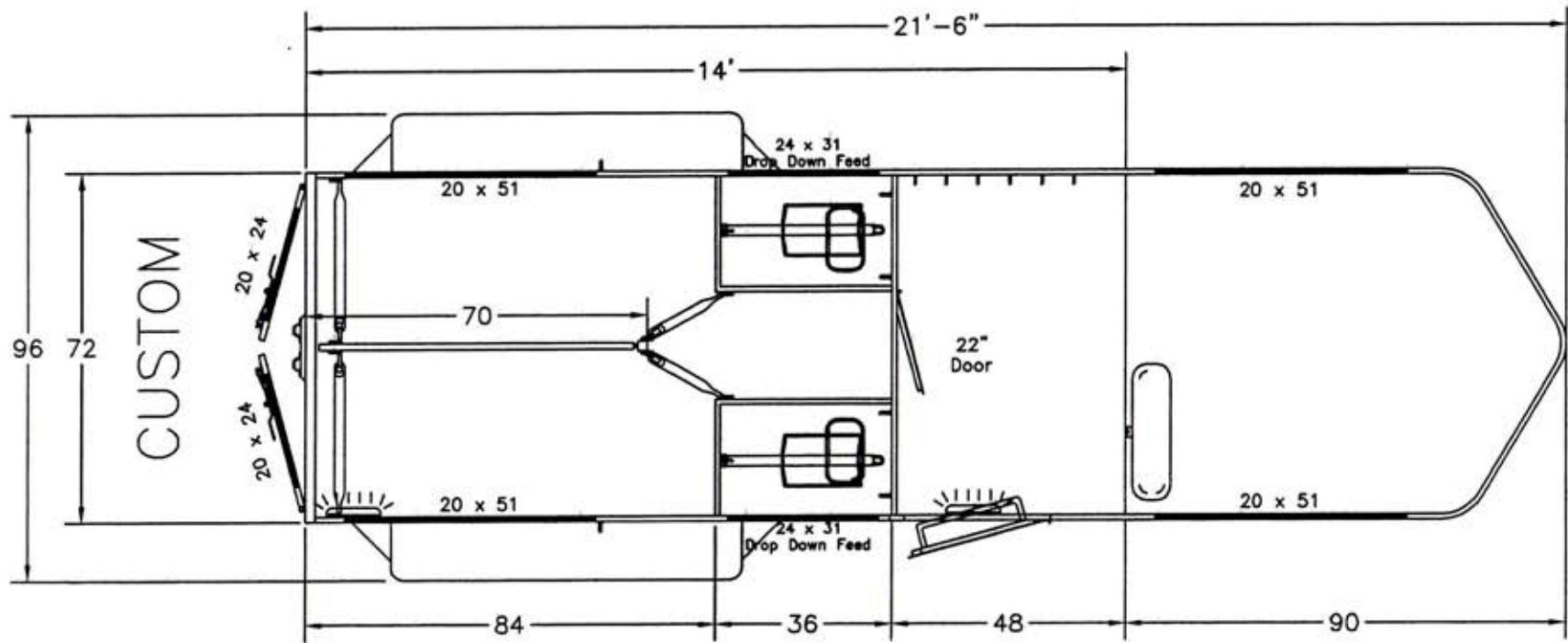


4 Horse Gooseneck, Head To Head With Dress


Drawn: TLS	Date: 12/19/1997	Scale: 1:48	Tolerance: $+\frac{1}{16}$ $-\frac{1}{16}$	Rev. 12/19/07
4 Horse Gooseneck Head To Head With Dress				
 Hawk Trailers MANAWA, WI				

HAWK TRAILERS

2 Horse Gooseneck Walk Thru Manger w/dress	w/dress Custom	w/dress Elite
Overall Length	21'6"	21'6"
Width 72"	S	S
Stall Length 7'	S	S
Inside Height 7'6"	S	S
2-5/16" Stallion Gooseneck coupler	O	O
2-5/16" Fulton Gooseneck coupler w/cable release	S	S
Single speed single leg jack	S	S
Axle Capacity 7000# w/4 wheel electric brakes	S	S
ST22575R15(D) Radial Silver rims, Elite Aluminum rims	S	S
Spare Tire & rim w/vinyl cover	S	S
Gooseneck sidewall wdw 20x51 (1) each side	S	S
20x24 wdw in dress door	O	S
24X31 Drop down feed windows	S	S
Twin swing rear doors w/20x24 windows	S	S
Sidewall wdw 20x51 (1) each side	S	S
22" Bulkhead door	S	S
Carpet on floor in dress & Gooseneck floor	S	S
Carpet on bulkhead wall half way	O	S
Sliding saddle rack under manger	S	S
Bridle hook set bolt on (6) aluminum	S	S
Door tie backs on all doors	S	S
Aluminum running boards	O	S
Diamond plate on fender & step Elite only full fenders	S	S
Diamond plate on gooseneck gussets & 18" under nose	O	S
Rubberline sidewalls & rear doors	S	S
Rubberline kneewall	O	S
Butt bar pads	O	S
Chest pads	S	S
Sidewall pads	S	S
Divider pads	1"	2"
Rear header pad	S	S
Floor mats 5/8"	S	S
Roof vents	2	2
Brush tray on dress door	S	S
Interior head ties (3) per stall	S	S
Exterior head ties (1) per horse	S	S
Fuse block	S	S
Dome lights	2	3
Remote switch interior lights	O	S
D.O.T Lighting	S	S
Empty trailer weight (approximate)	4200 lbs	4200 lbs
Limited warranty on all products. See dealer for details.	5 yr	7yr



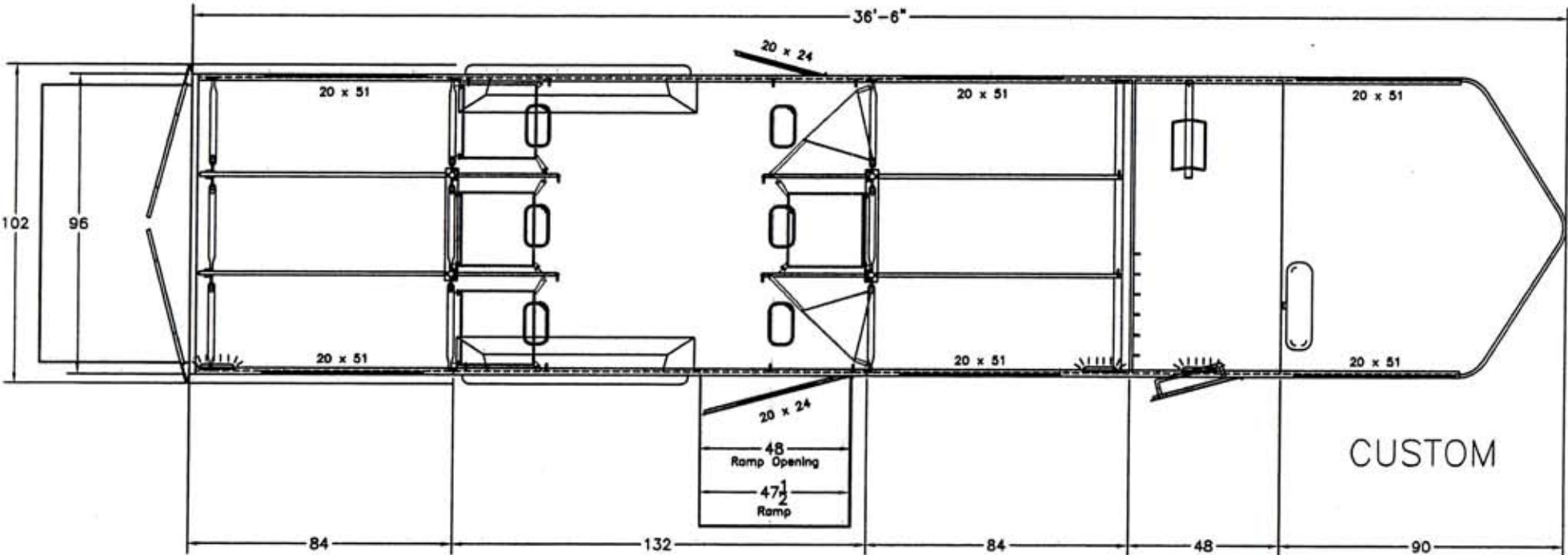
2 Horse Gooseneck Walk Thru Manger With Dress

Drawn: TLS	Date: 5/10/2006	Scale: 1:36	Tolerance: $\pm \frac{1}{16}$	Rev. 5/10/06
2 Horse Gooseneck Walk-Thru Manger With Dress				
 Hawk Trailers MANAWA, WI				

HAWK TRAILERS

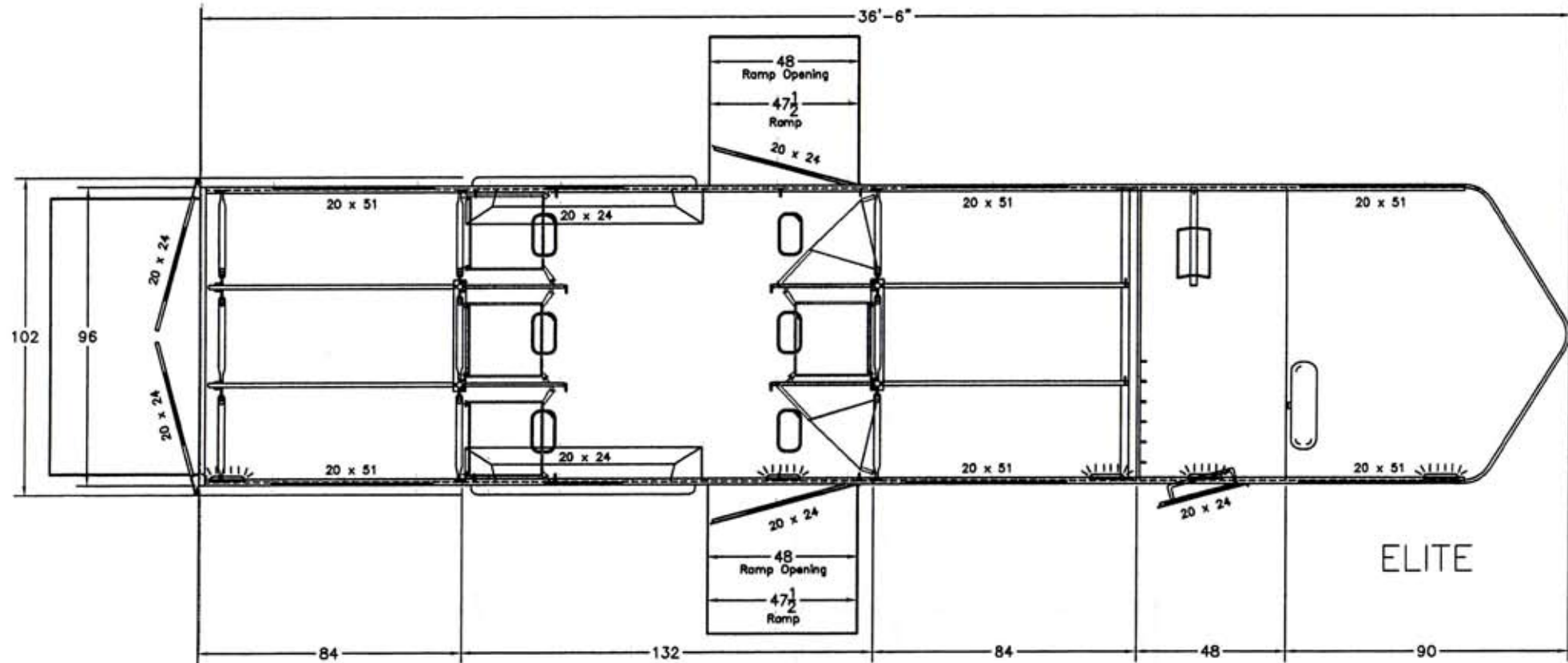
6 Horse Gooseneck Head to Head

	6 H. w/dress Custom	6 H. w/dress Elite
Overall Length	36'6"	36'6"
Width 96"	S	S
Stall Length 7'	S	S
Inside Height 7'6"	S	S
2-5/16" Stallion Gooseneck coupler	O	O
2-5/16" Fulton Gooseneck coupler w/cable release	S	S
Dual speed single leg jack	S	S
Axle Capacity 16000# w/4 wheel electric brakes	S	S
215/75R17.5 Radial Silver rims only	S	S
Spare Tire & rim w/vinyl cover	S	S
Gooseneck sidewall wdw 20x51 (1) each side	S	S
20x24 wdw in dress door	O	S
20x24 wdws at horses head area	O	S
4' D.S. ramp & storm w/stainless steel cam &/ 20x24 wdw	S	S
4' R.S. ramp & storm w/stainless steel cam &/ 20x24 wdw	O	S
Storm doors & stainless steel cam latches	S	S
Storm door windows 20x24	O	S
Sidewall wdws 20x51 (2) each side	S	S
Carpet on floor in dress & Gooseneck floor	S	S
Carpet on bulkhead wall & jacksheet wall	O	S
Saddle racks	4	4
Bridle hook set bolt on (6) aluminum	S	S
Door tie backs on all doors	S	S
Diamond plate on fenders & steps Elite only full fenders	S	S
Diamond plate on Gooseneck gussets & 18" under nose	O	S
Rubberline sidewalls	S	S
Breast/butt bar pads	O	S
Divider & sidewall pads	1"	2"
Rear header pad	S	S
Floor mats 5/8"	S	S
Roof vents	6	6
Brush tray on dress door	S	S
Feed bags (1) per stall	S	S
Interior head ties (3) per stall	S	S
Exterior head ties (1) per horse	S	S
Fuse block	S	S
Dome lights	3	5
Remote switch interior lights	O	S
D.O.T Lighting	S	S
Empty trailer weight	8950 lbs	
Limited warranty on all products. See dealer for details.	5yr	7yr




6 Horse Gooseneck Head to Head With Dress

Drawn: TLS	Date: 1/15/1998	Scale: 1:49	Tolerance: $+\frac{1}{16}$ $-\frac{1}{16}$	Rev. 12/21/07
6 Horse Head to Head Gooseneck w/Dress 96 Wide				
 Hawk Trailers MANAWA, WI				



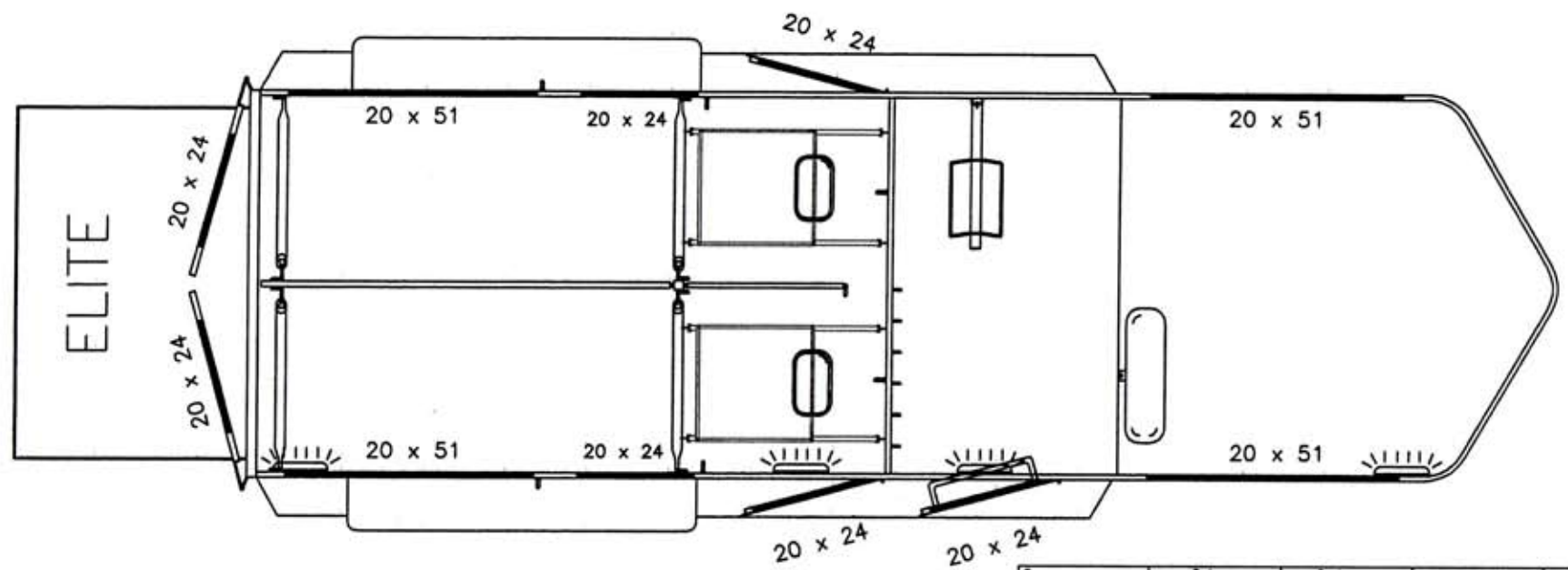
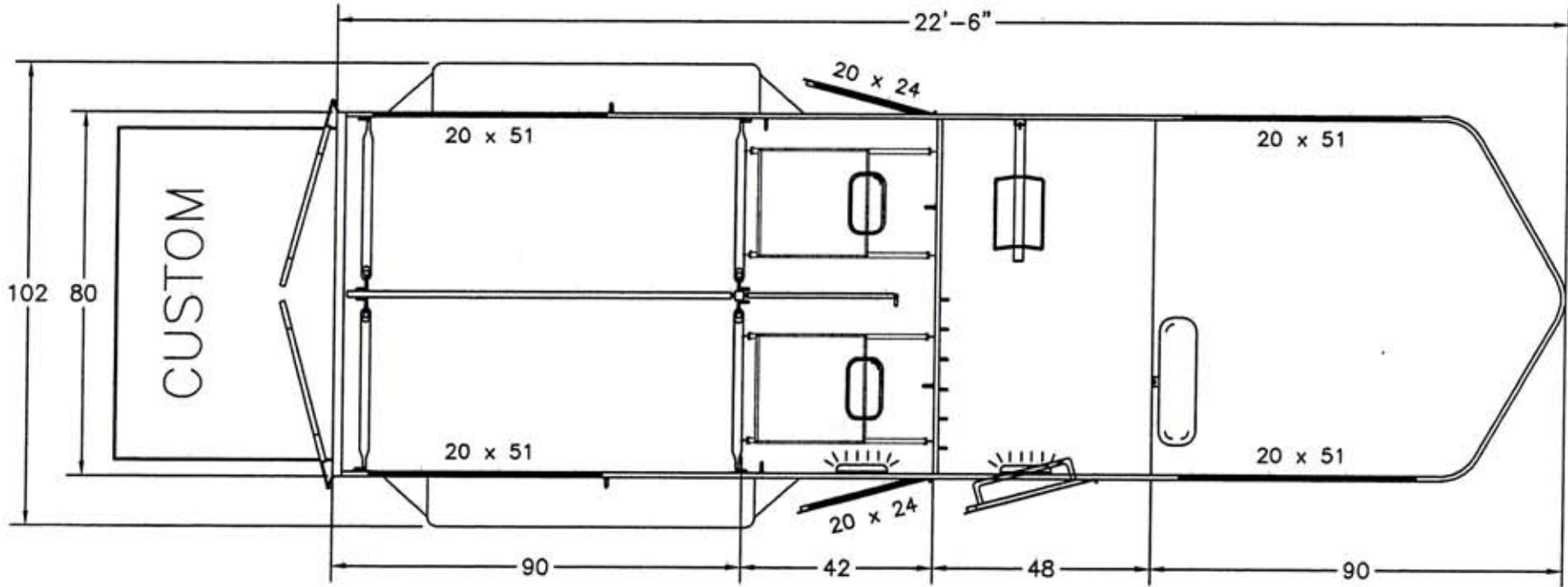
6 Horse Gooseneck Head to Head With Dress

Drawn: TLS	Date: 12/29/1997	Scale: 1:49	Tolerance: $\pm \frac{1}{16}$	Rev. 12/21/07
6 Horse Head to Head Gooseneck w/Dress 96 Wide				
 Hawk Trailers MANAWA, WI				

HAWK TRAILERS

2 & 4 Horse Gooseneck Walk Thru Classic

	2 H. w/dress Custom	2 H. w/dress Elite	4 H. w/dress Custom	4 H. w/dress Elite
Overall Length	22'6"	22'6"	35'6"	35'6"
Width 80"	S	S	S	S
Stall Length 7'-6"	S	S	S	S
Inside Height 7'8"	S	S	S	S
2-5/16" Stallion Gooseneck coupler	O	O	O	O
2-5/16" Fulton Gooseneck coupler w/cable release	S	S	S	S
Single speed single leg jack	S	S	n/a	n/a
Dual speed single leg jack	n/a	n/a	S	S
Axle Capacity 10400# w/4 wheel electric brakes	S	S	12000	12000
ST22575R15(D) Radial Silver rims, Elite Aluminum rims	S	S	n/a	n/a
ST23580R16(E) Radial Silver rims, Elite Aluminum rims	n/a	n/a	S	S
Spare Tire & rim w/vinyl cover	S	S	S	S
GN sidewall wdw 20x51 (1) each side	S	S	S	S
20x24 wdw in dress door	O	S	O	S
20x24 wdw in walk thru door	S	S	S	n/a
20x24 wdws at horses head area	O	S	O	S
4' D.S. ramp & storm w/stainless steel cam latches &/ 20x24 wdw	n/a	n/a	S	S
4' R.S. ramp & storm w/stainless steel cam latches &/ 20x24 wdw	n/a	n/a	O	S
Storm doors & stainless steel cam latches	S	S	S	S
Storm door windows 20x24	O	S	O	S
Sidewall wdw 20x51	2	2	4	4
Carpet on floor in dress & Gooseneck floor	S	S	S	S
Carpet on bulkhead wall & jacksheet wall	O	S	O	S
Saddle racks	2	2	4	4
Bridle hook set bolt on (6) aluminum	S	S	S	S
Door tie backs all doors	S	S	S	S
Aluminum running boards	O	S	O	S
Diamond plate on fenders & steps Elite only full fenders	S	S	S	S
Diamond plate on GN gussets & 18" under G.N.	O	S	O	S
Rubberline sidewalls	S	S	S	S
Breast/butt bar pads	O	S	O	S
Divider & sidewall pads	1"	2"	1"	2"
Rear header pad	S	S	S	S
Floor mats 5/8"	S	S	S	S
Roof vents	2	2	4	4
Brush tray on dress door	S	S	S	S
Square feed bag (1) per stall	S	S	S	S
Interior head ties (3) per stall	S	S	S	S
Exterior head ties (1) per horse	S	S	S	S
Fuse block	S	S	S	S
Dome lights	2	4	3	5
Remote switch interior lights	O	S	O	S
D.O.T Lighting	S	S	S	S
Empty trailer weight	4675 lbs		7420 lbs	
Limited warranty on all products. See dealer for details.	5yr	7yr	5yr	7yr

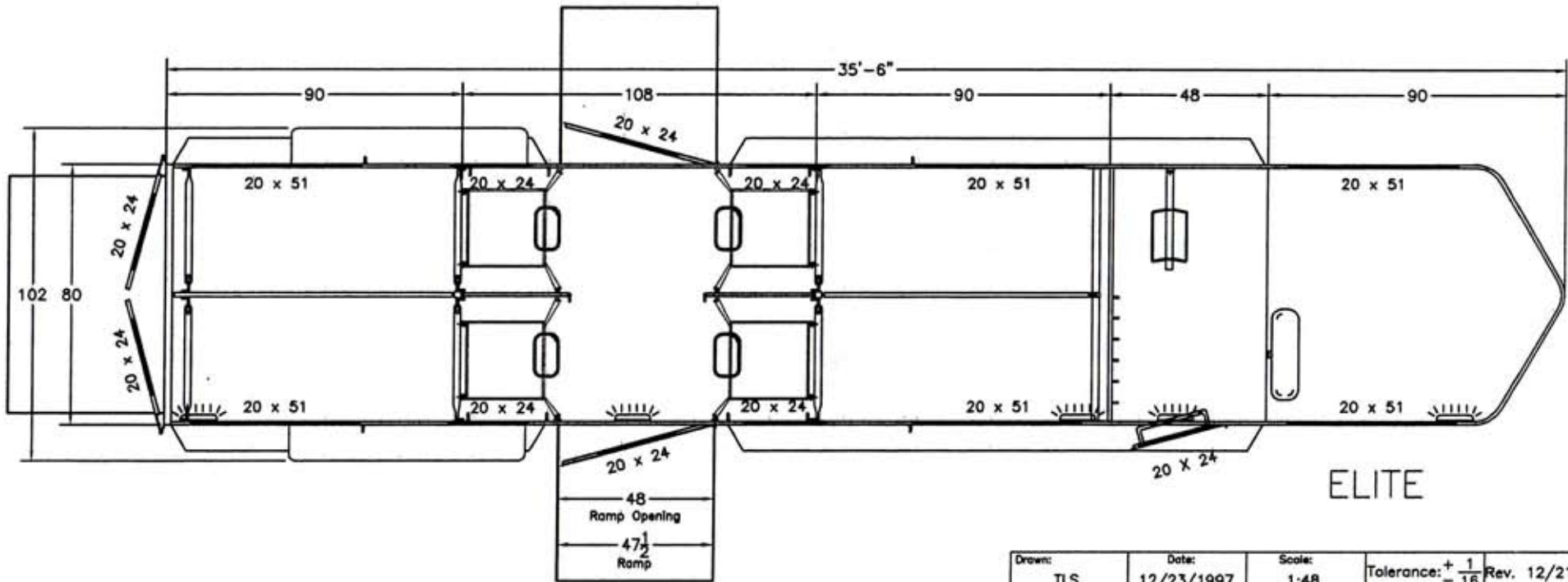
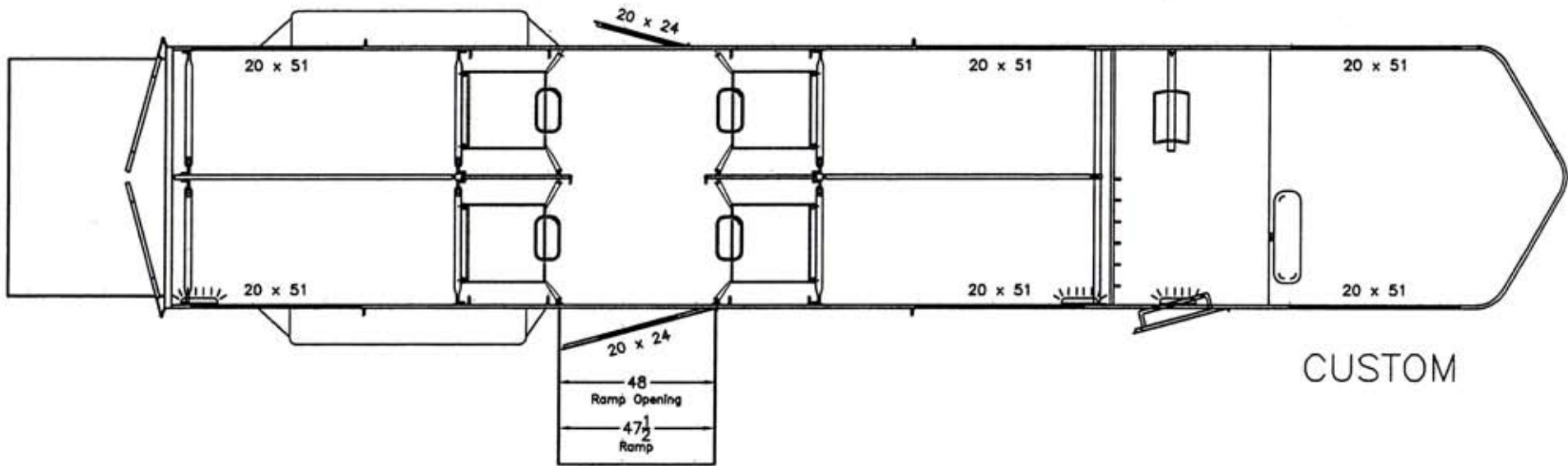


2 Horse Gooseneck Walk-Thru With Dress Classic

Drawn: TLS	Date: 12/17/1997	Scale: 1:36	Tolerance: $\pm \frac{1}{16}$	Rev. 12/21/07
---------------	---------------------	----------------	-------------------------------	---------------

2 Horse Gooseneck Walk-Thru
With Dress Classic





4 Horse Gooseneck Head to Head With Dress Classic

Drawn: TLS	Date: 12/23/1997	Scale: 1:48	Tolerance: $\pm \frac{1}{16}$	Rev. 12/21/07
4 Horse Head to Head Classic With Dress				
 Hawk Trailers MANAWA, WI				