

# Miniature, Alpaca & Llama Trailers



Photo by: C. Peterson

**Safe,  
Comfortable,  
Versatile  
and Stylish.**

HAWK's design experience and attention to detail equals unmatched quality and value. Travel in confidence with the industry leader.

*These "Miniature" trailers have the same construction features as our full size horse trailers. You can customize your very own trailer by choosing popular options such as miniature stall dividers, box stall dividers or a center gate. The available safety glass windows, roof vents, and fans provide your precious cargo with optimum climate control.*



**Hawk**  
T R A I L E R S





**HAWK TRAILERS**

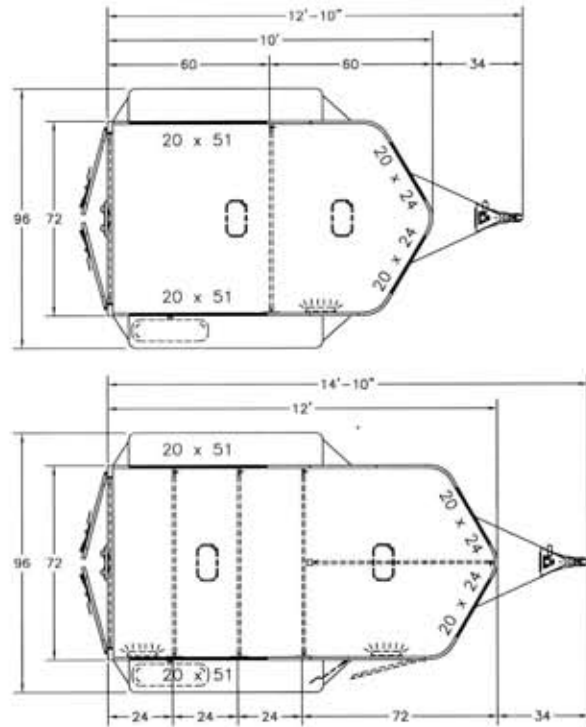
Miniature, Alpaca & Llama Trailers

	5'x8' Custom	5'x10' Custom	5'x12' Custom	6'x10' Custom	6'x12' Custom
Overall Length	10'6"	12'6"	14'6"	12'10"	14'10"
Inside Height 5'8"	\$	\$	\$	\$	\$
2" wedge lock coupler	\$	\$	\$	\$	\$
Sidewind Jack w/sandfoot	\$	\$	\$	\$	\$
Axle Capacity 4000# w/4 wheel electric brakes	2200 single	\$	\$	\$	\$
ST20575R15(C) Radial Silver rims	\$	\$	\$	\$	\$
Spare Tire & rim mounted outside w/cover	O	O	O	O	O
Front wedge w/14x18 wdws	O	O	O	O	O
30" walk thru door	n/a	n/a	O	n/a	O
Twin swing rear doors w/2pt latches	1	2	2	2	2
20x24 windows in rear doors	O	O	O	O	O
Sidewall wdws 14X44 (1) each side	O	O	O	O	O
Saddle racks	O	O	O	O	O
Bridle hook set bolt on (6) aluminum	O	O	O	O	O
Door tie backs on all doors	\$	\$	\$	\$	\$
Aluminum running boards	O	O	O	O	O
Diamond plate on steps, & tongue	\$	\$	\$	\$	\$
Diamond plate on fenders half length	\$	\$	\$	\$	\$
Diamond plate on nose, 18" high	O	O	O	O	O
Rubberline sidewalls	O	O	O	O	O
Breast/butt bar pads	O	O	O	O	O
Divider & sidewall pads	O	O	O	O	O
Rear header pad	\$	\$	\$	\$	\$
Treated plank floor	O	\$	\$	\$	\$
Treated plywood floor	\$	n/a	n/a	n/a	n/a
Floor mats 5/8"	O	\$	\$	\$	\$
Roof vents	O	O	O	O	O
Interior head ties	O	O	O	O	O
Exterior head ties	O	O	O	O	O
Fuse block	\$	\$	\$	\$	\$
Dome lights	O	O	O	O	O
D.O.T Lighting	\$	\$	\$	\$	\$
Empty trailer weight	1360 lbs	2100 lbs	2400 lbs	2200 lbs	2500 lbs
Limited warranty on all products. See dealer for details.	5yr	5yr	5yr	5yr	5yr

HAWK TRAILERS RESERVES THE RIGHT TO CHANGE SPECIFICATIONS AND PRICES WITHOUT NOTICE

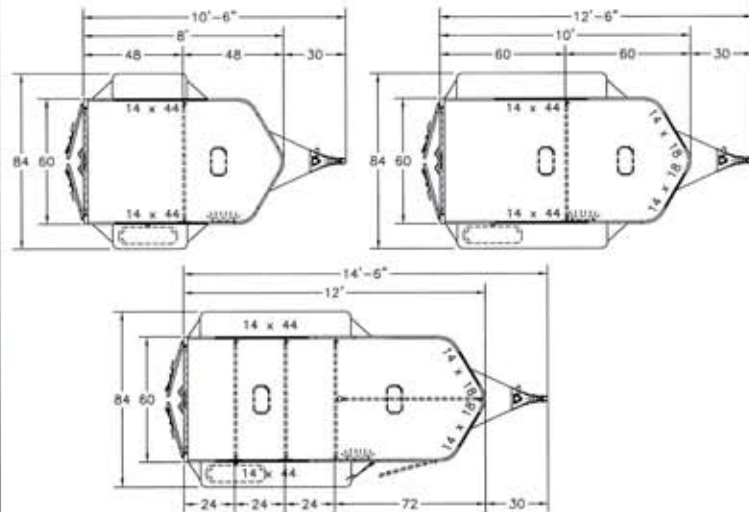
EFFECTIVE 2020/8

**6x10 & 6x12 Miniature Trailer Shell**



\*\*Models Shown with Optional Windows & Equipment\*\*

**5x8, 5x10, 5x12 Miniature Trailer Shell**

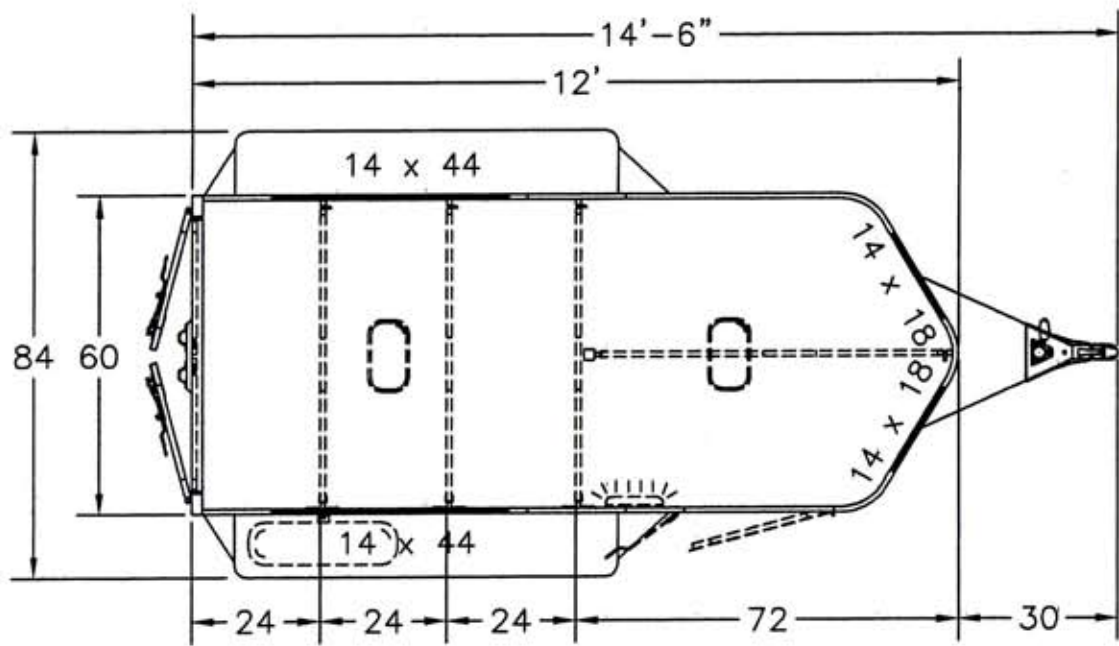
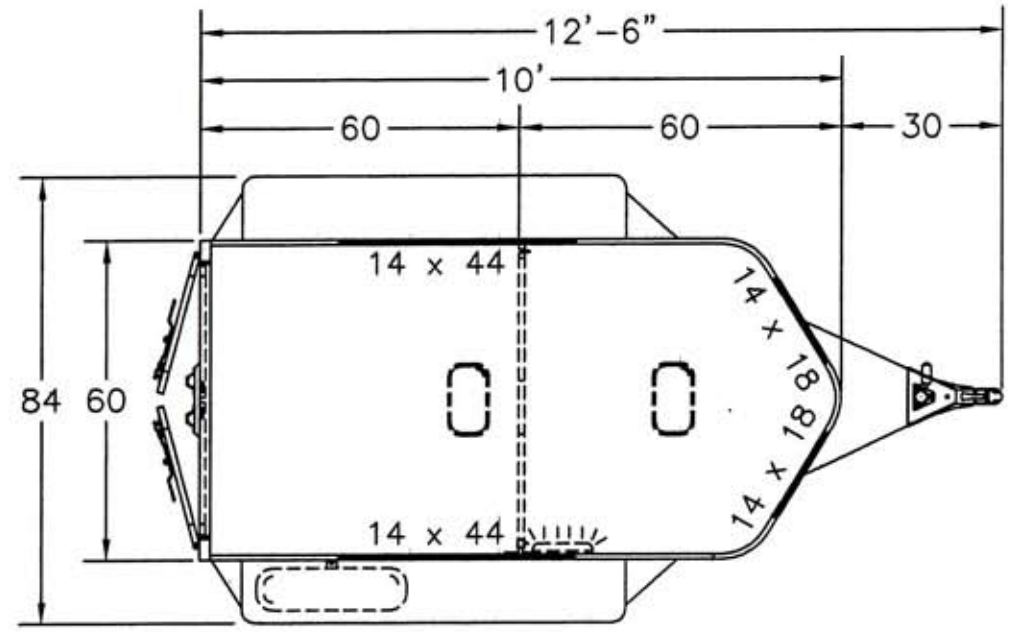
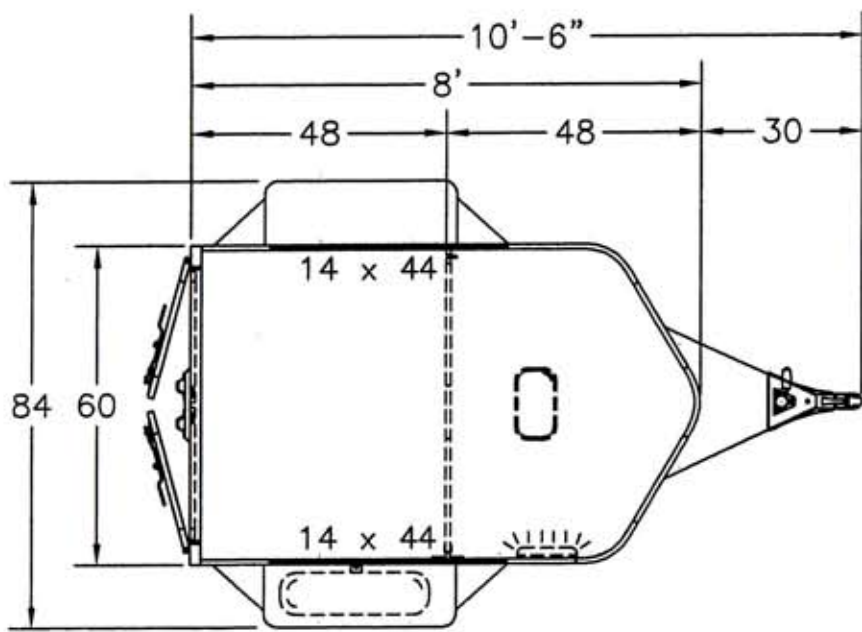


# HAWK TRAILERS

## Miniature Gooseneck

6'x21'6" Custom

Overall Length	21'6"
Inside Height 6'6"	S
2-5/16" Stallion Gooseneck coupler	S
Axle Capacity 7000# w/4 wheel electric brakes	S
ST22575R15(D) Radial Silver rims	S
Spare Tire & rim mounted outside w/cover	O
Bulkhead wall	O
30" walk thru door	O
Twin swing rear doors w/2pt latches	2
20x24 windows in rear doors	O
Sidewall wdw 14X44 (1) each side	O
Saddle racks	O
Bridle hook set bolt on (6) aluminum	O
Door tie backs on all doors	S
Aluminum running boards	O
Diamond plate on steps, & tongue	S
Diamond plate on fenders half length	S
Diamond plate gooseneck gussets & 18" under nose	O
Rubberline sidewalls	O
Breast/butt bar pads	O
Divider & sidewall pads	O
Rear header pad	S
Treated plank floor	S
Floor mats 5/8"	S
Roof vents	O
Interior head ties	O
Exterior head ties	O
Fuse block	S
Dome lights	O
D.O.T Lighting	S
Empty trailer weight	3900 lbs
Limited warranty on all products. See dealer for details.	5yr



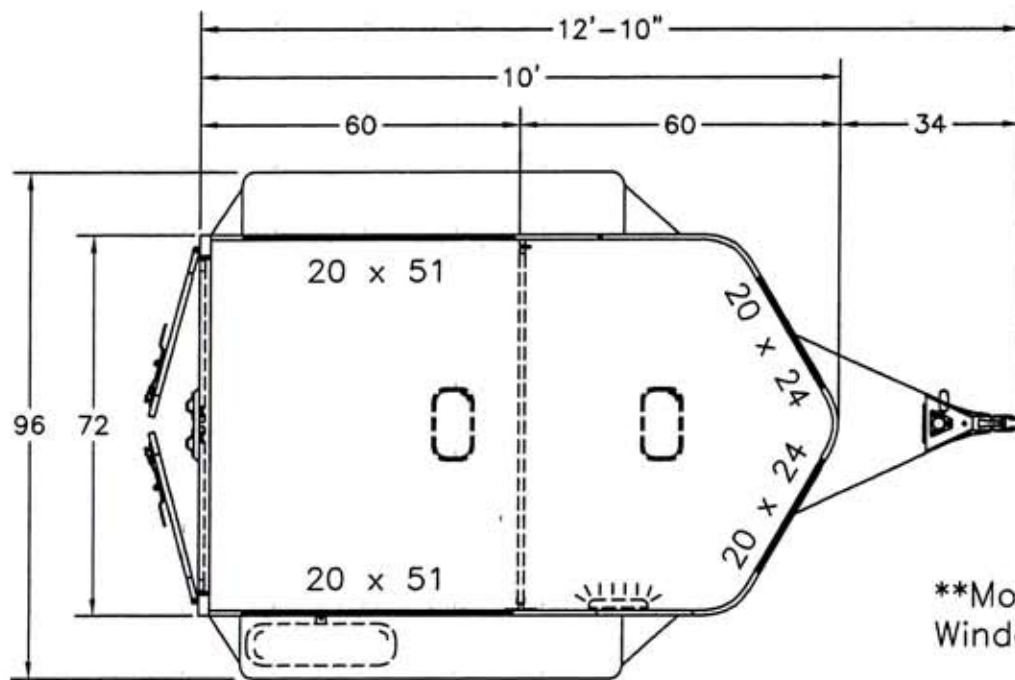
\*\*Models Shown With  
Optional Windows &  
Equipment\*\*

5x8, 5x10, & 5x12 Miniature Trailer Shell

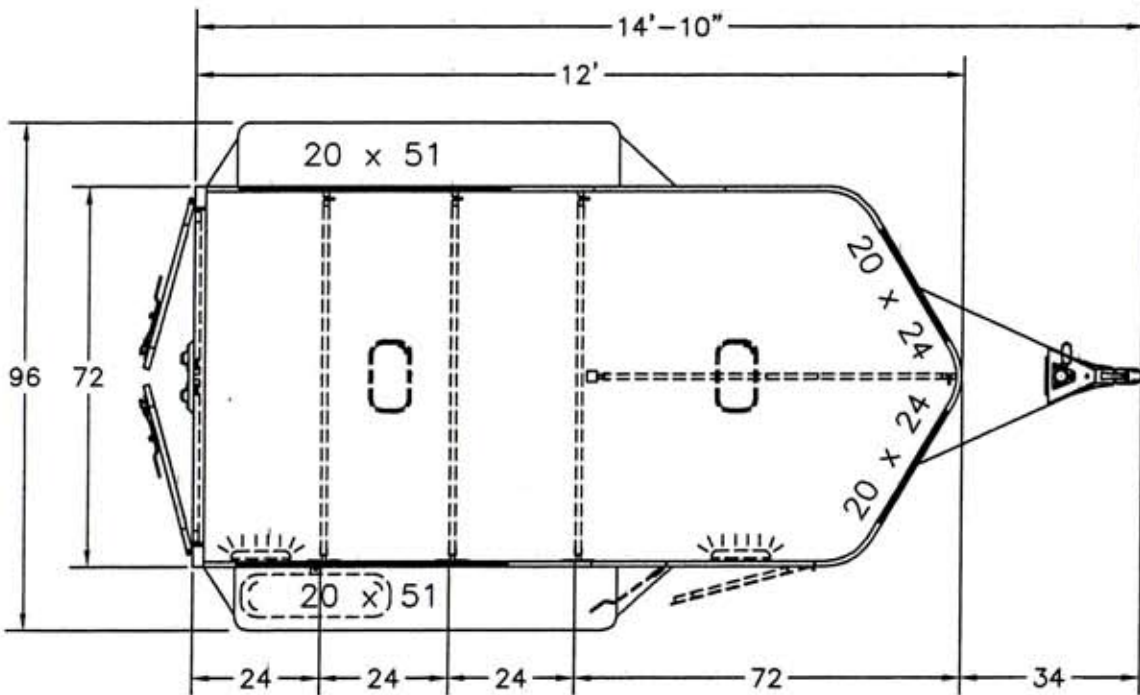
Drawn: JLS	Date: 7/17/2006	Scale: 1:36	Tolerance: $\pm \frac{1}{16}$
---------------	--------------------	----------------	-------------------------------

5x8, 5x10, & 5x12 Miniature Trailer Shell



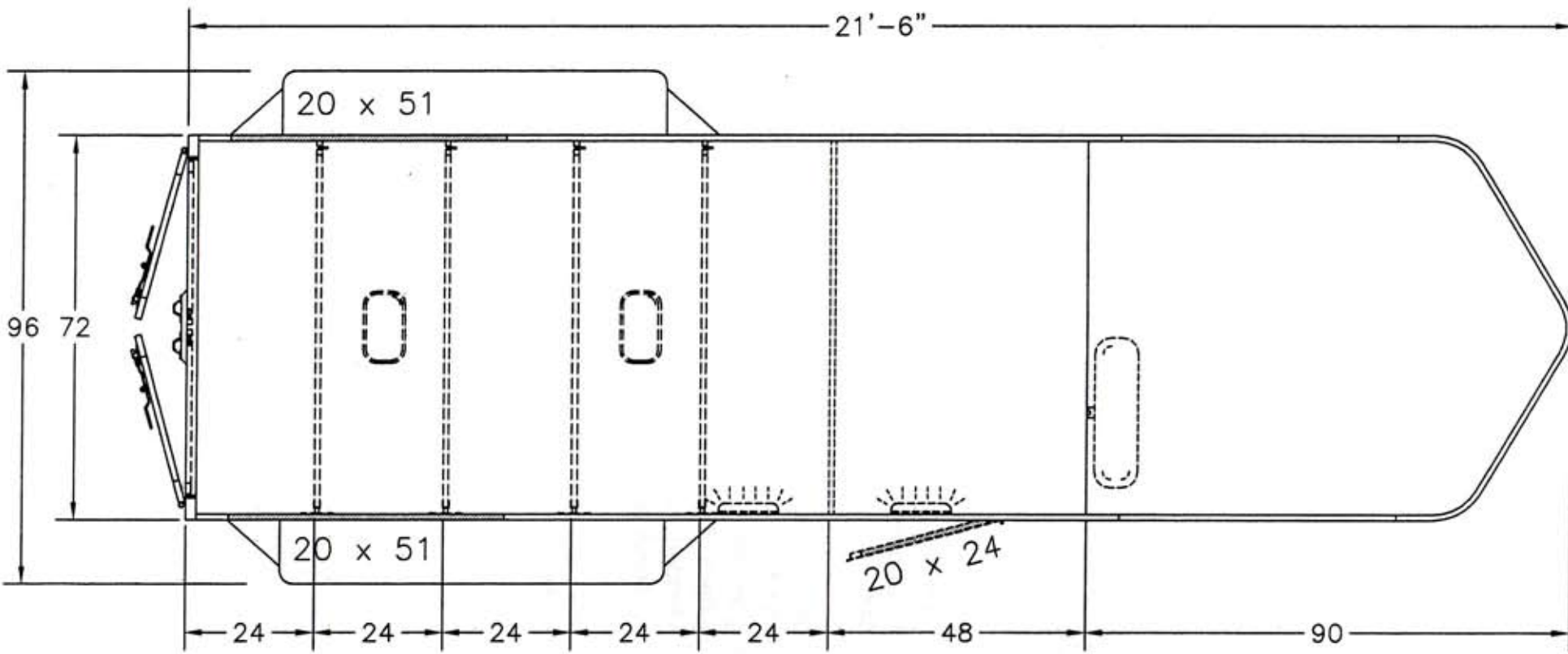


\*\*Models Shown With Optional Windows & Equipment\*\*




6x10 & 6x12 Miniature Trailer Shell





\*\*Model Shown With Optional Windows & Equipment\*\*

6' x 21'-6" Miniature Trailer Shell

Drawn: JLS	Date: 3/5/2007	Scale: 1:29	Tolerance: $\pm \frac{1}{16}$
6' x 21'-6" Miniature Gooseneck Trailer Shell			
 <b>Hawk Trailers</b> MANAWA, WI			