



T R A I L E R S

HAWK TRAILERS

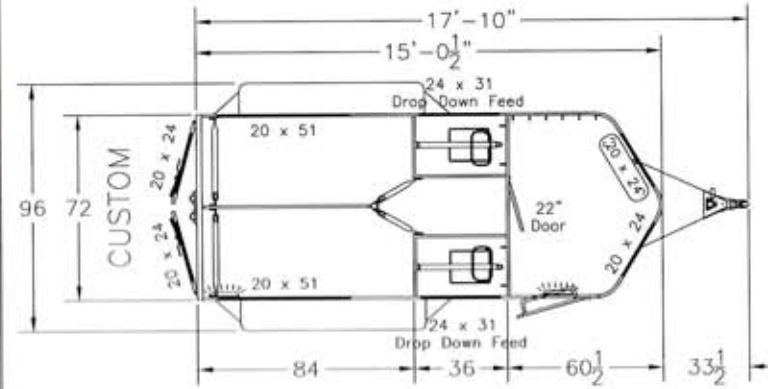
2 Horse Bumper Pull Walk Thru Manger w/dress

	w/dress Custom	w/dress Elite
Overall Length	17'10"	17'10"
Width 72"	\$	\$
Stall Length 7'	\$	\$
Inside Height 7'6"	\$	\$
2-5/16" wedge lock coupler	\$	\$
Sidewind Jack w/sandfoot in coupler Elite only dollywheel	\$	\$
Axle Capacity 7000# w/4 wheel electric brakes	\$	\$
ST20575R15(C) Radial Silver rims, Elite Aluminum rims	\$	\$
Spare Tire & rim, mounted inside no cover	\$	\$
Front wedge w/20x24 wdws	\$	\$
20x24 wdw in dress door	O	\$
24X31 Drop down feed windows	\$	\$
Twin swing rear doors	\$	\$
20x24 windows in twin swing doors	\$	\$
Sidewall wdw 20x51 (1) each side	\$	\$
22" Bulkhead door	\$	\$
Carpet on floor in dress	\$	\$
Carpet on bulkhead wall half way	O	\$
Sliding saddle rack under manger	\$	\$
Bridle hook set bolt on (6) aluminum	\$	\$
Door tie backs on all doors	\$	\$
Aluminum running boards	O	\$
Diamond plate on steps, & tongue	\$	\$
Diamond plate on fenders half, full length Elite only	\$	\$
Diamond plate on nose, 18" high	O	\$
Rubberline sidewalls	\$	\$
Rubberline rear doors	\$	\$
Butt bar pads	O	\$
Chest bar pads	\$	\$
Sidewall pads	\$	\$
Divider pads	1"	2"
Rear header pad	\$	\$
Floor mats 5/8"	\$	\$
Roof vents	2	2
Brush tray on dress door	\$	\$
Interior head ties (3) per stall	\$	\$
Exterior head ties (1) per horse	\$	\$
Fuse block	\$	\$
Dome lights	2	3
D.O.T Lighting	\$	\$
Empty trailer weight (approximate)	3300 lbs	3300 lbs
Limited warranty on all products. See dealer for details.	5 yr	7yr

HAWK TRAILERS RESERVES THE RIGHT TO CHANGE SPECIFICATIONS AND PRICES WITHOUT NOTICE

EFFECTIVE 2009

2-Horse Bumper Pull Walk-Thru Manger with Dress Custom



2-Horse Bumper Pull Walk-Thru Manger with Dress Elite

