


2-Horse Bumper Pull Walk-Thru Manger with Dress

**Safe,
Comfortable,
Versatile
and Stylish.**

HAWK's design experience and attention to detail equals unmatched quality and value. Travel in confidence with the industry leader.



Twin swing full height door provide easy and safe loading.

Standard Features Include:

- Fully Lined and Insulated Walls and Doors
- White or Pewter Aluminum Outer Shell
- Custom Painted Accent Color
- Fiberglass Roof and Fenders
- Powder Coated Removable Interior Parts
- L.E.D. lights
- Sealed Fuse Box
- Transferable Warranty



Hawk
TRAILERS



T R A I L E R S

HAWK TRAILERS

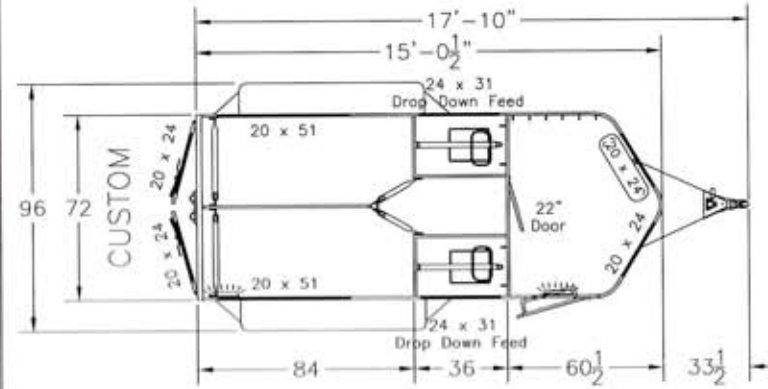
2 Horse Bumper Pull Walk Thru Manger w/dress

	w/dress Custom	w/dress Elite
Overall Length	17'10"	17'10"
Width 72"	\$	\$
Stall Length 7'	\$	\$
Inside Height 7'6"	\$	\$
2-5/16" wedge lock coupler	\$	\$
Sidewind Jack w/sandfoot in coupler Elite only dollywheel	\$	\$
Axle Capacity 7000# w/4 wheel electric brakes	\$	\$
ST20575R15(C) Radial Silver rims, Elite Aluminum rims	\$	\$
Spare Tire & rim, mounted inside no cover	\$	\$
Front wedge w/20x24 wdws	\$	\$
20x24 wdw in dress door	O	\$
24X31 Drop down feed windows	\$	\$
Twin swing rear doors	\$	\$
20x24 windows in twin swing doors	\$	\$
Sidewall wdw 20x51 (1) each side	\$	\$
22" Bulkhead door	\$	\$
Carpet on floor in dress	\$	\$
Carpet on bulkhead wall half way	O	\$
Sliding saddle rack under manger	\$	\$
Bridle hook set bolt on (6) aluminum	\$	\$
Door tie backs on all doors	\$	\$
Aluminum running boards	O	\$
Diamond plate on steps, & tongue	\$	\$
Diamond plate on fenders half, full length Elite only	\$	\$
Diamond plate on nose, 18" high	O	\$
Rubberline sidewalls	\$	\$
Rubberline rear doors	\$	\$
Butt bar pads	O	\$
Chest bar pads	\$	\$
Sidewall pads	\$	\$
Divider pads	1"	2"
Rear header pad	\$	\$
Floor mats 5/8"	\$	\$
Roof vents	2	2
Brush tray on dress door	\$	\$
Interior head ties (3) per stall	\$	\$
Exterior head ties (1) per horse	\$	\$
Fuse block	\$	\$
Dome lights	2	3
D.O.T Lighting	\$	\$
Empty trailer weight (approximate)	3300 lbs	3300 lbs
Limited warranty on all products. See dealer for details.	5 yr	7yr

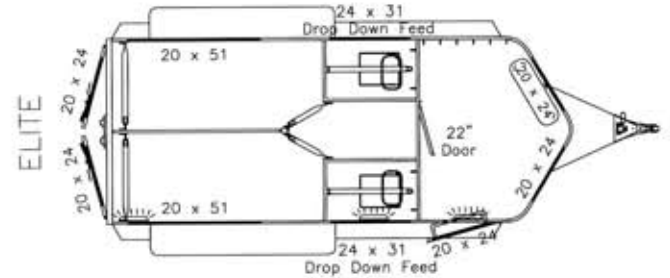
HAWK TRAILERS RESERVES THE RIGHT TO CHANGE SPECIFICATIONS AND PRICES WITHOUT NOTICE

EFFECTIVE 2009

2-Horse Bumper Pull Walk-Thru Manger with Dress Custom

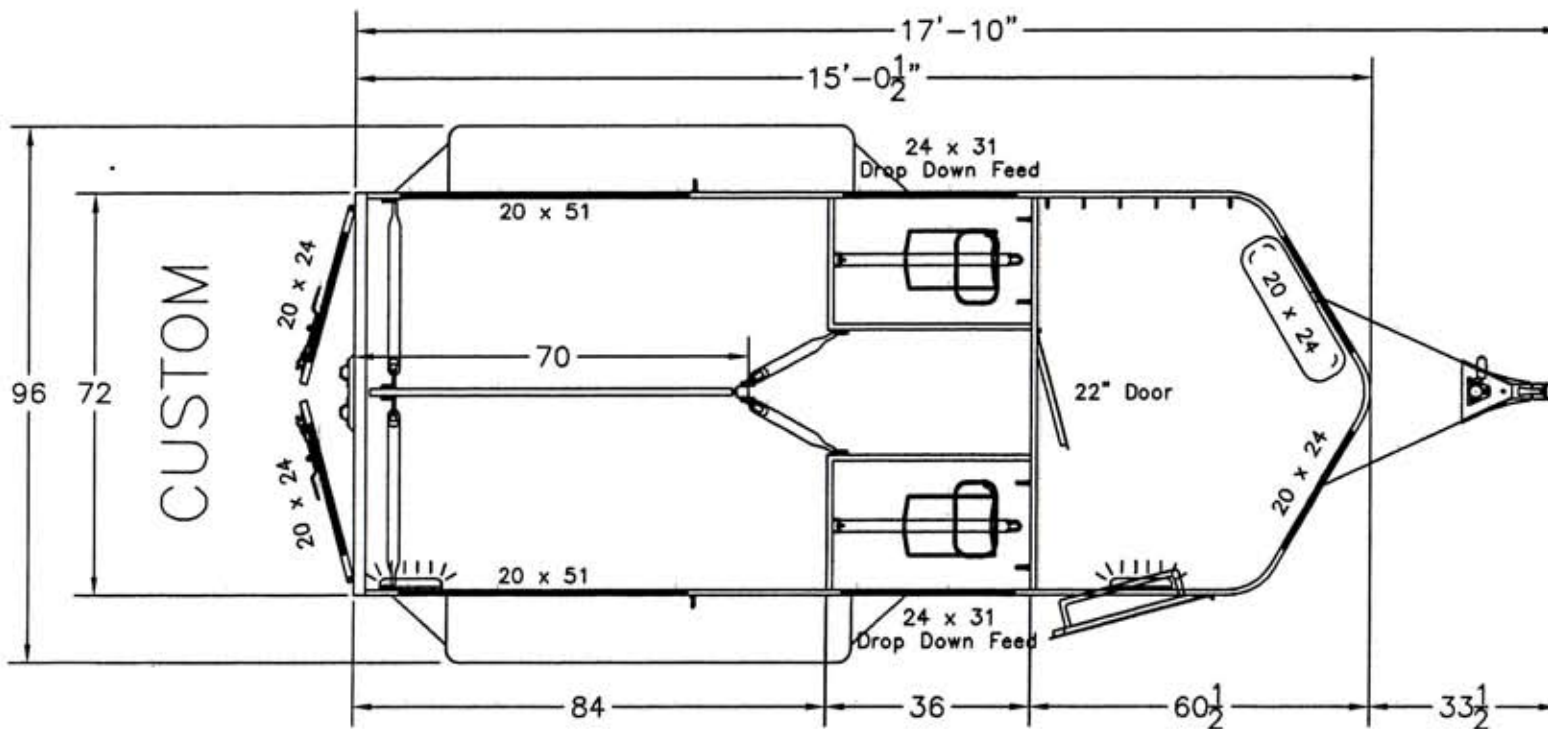


2-Horse Bumper Pull Walk-Thru Manger with Dress Elite

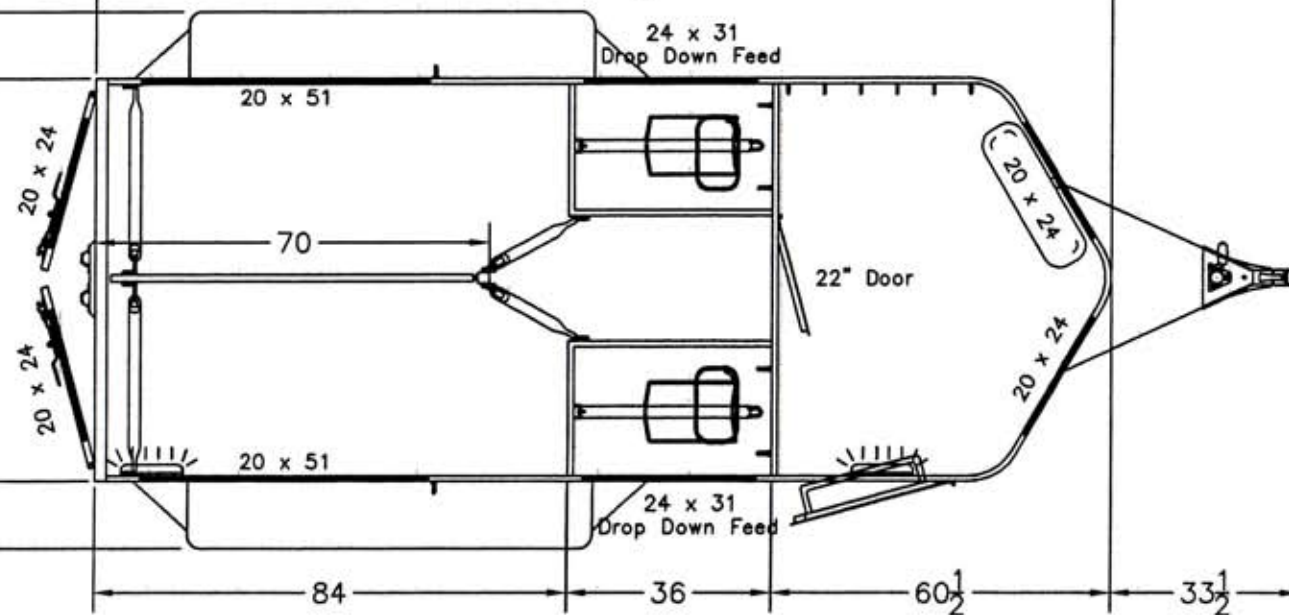


HAWK TRAILERS

2 Horse Bumper Pull Walk Thru Manger w/dress	w/dress Custom	w/dress Elite
Overall Length	17'10"	17'10"
Width 72"	S	S
Stall Length 7'	S	S
Inside Height 7'6"	S	S
2-5/16" wedge lock coupler	S	S
Sidewind Jack w/sandfoot in coupler Elite only dollywheel	S	S
Axle Capacity 7000# w/4 wheel electric brakes	S	S
ST20575R15(C) Radial Silver rims, Elite Aluminum rims	S	S
Spare Tire & rim, mounted inside no cover	S	S
Front wedge w/20x24 wdws	S	S
20x24 wdw in dress door	O	S
24X31 Drop down feed windows	S	S
Twin swing rear doors w/20x24 windows	S	S
Sidewall wdw 20x51 (1) each side	S	S
22" Bulkhead door	S	S
Carpet on floor in dress	S	S
Carpet on bulkhead wall half way	O	S
Sliding saddle rack under manger	S	S
Bridle hook set bolt on (6) aluminum	S	S
Door tie backs on all doors	S	S
Aluminum running boards	O	S
Diamond plate on steps, & tongue	S	S
Diamond plate on fenders half, full length Elite only	S	S
Diamond plate on nose, 18" high	O	S
Rubberline sidewalls & rear doors	S	S
Rubberline kneewall	O	S
Butt bar pads	O	S
Chest bar pads	S	S
Sidewall pads	S	S
Divider pads	1"	2"
Rear header pad	S	S
Floor mats 5/8"	S	S
Roof vents	2	2
Brush tray on dress door	S	S
Interior head ties (3) per stall	S	S
Exterior head ties (1) per horse	S	S
Fuse block	S	S
Dome lights	2	3
Remote switch interior lights	O	S
D.O.T Lighting	S	S
Empty trailer weight	3300 lbs	3300 lbs
Limited warranty on all products. See dealer for details.	5 yr	7yr



CUSTOM



ELITE

2 Horse Bumper Pull Walk Thru Manger With Dress

Drawn: TLS	Date: 2/5/99	Scale: 1:34	Tolerance: $\pm \frac{1}{16}$	Rev. 12/17/07
---------------	-----------------	----------------	----------------------------------	---------------

2 Horse Bumper Pull Walk-Thru Manger With Dress

