

2 Horse Bumper Pull Walk-Thru

**Safe,
Comfortable,
Versatile
and Stylish.**

HAWK's design experience and attention to detail equals unmatched quality and value. Travel in confidence with the industry leader.

Ramp with upper storm doors offer optimum versatility with ease of handling.

Standard Features Include:

- Fully Lined and Insulated Walls and Doors
- White or Pewter Aluminum Outer Shell
- Custom Painted Accent Color
- Fiberglass Roof and Fenders
- Powder Coated Removable Interior Parts
- T-Coated Latches and Hardware
- Transferrable Warranty
- Sealed Fuse Box



Hawk
TRAILERS



T R A I L E R S

2 Horse Bumper Pull Walk Thru

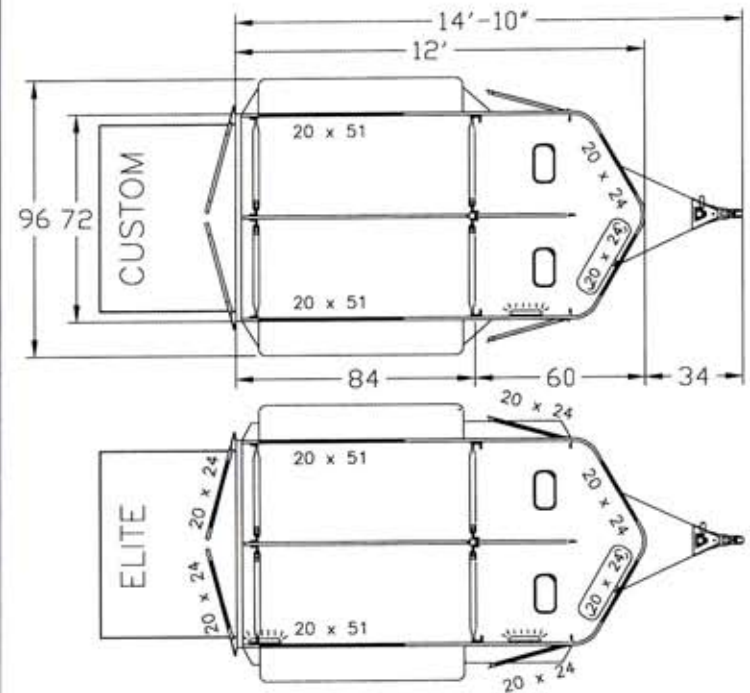
	w/dress Custom	w/dress Elite	Custom	Elite
Overall Length	17'10"	17'10"	14'10"	14'10"
Width 72"	S	S	S	S
Stall Length 7'	S	S	S	S
Inside Height 7'6"	S	S	S	S
2-5/16" wedge lock coupler	S	S	S	S
Sidewind Jack w/sandfoot in coupler Elite only dollywheel	S	S	S	S
Axle Capacity 7000# w/4 wheel electric brakes	S	S	S	S
ST20575R15(C) Radial Silver rims, Elite Aluminum rims	S	S	S	S
Spare Tire & rim mounted inside no cover	S	S	S	S
Front wedge w/20x24 wdws	S	S	S	S
20x24 wdw in dress door	O	S	n/a	n/a
20x24 wdw in walk thru door	S	S	O	S
Storm doors & stainless steel cam latches	S	S	S	S
Storm door windows 20x24	O	S	O	S
Sidewall wdw 20x51 (1) each side	S	S	S	S
Carpet on floor in dress	S	S	n/a	n/a
Carpet on bulkhead wall	O	S	n/a	n/a
Saddle racks	2	2	O	O
Bridle hook set bolt on (6) aluminum	S	S	O	O
Door tie backs on all doors	S	S	S	S
Aluminum running boards	O	S	O	S
Diamond plate on steps, & tongue	S	S	S	S
Diamond plate on fenders half, full length Elite only	S	S	S	S
Diamond plate on nose, 18" high	O	S	O	S
Rubberline sidewalls	S	S	S	S
Breast/butt bar pads	O	S	O	S
Divider & sidewall pads	1"	2"	1"	2"
Rear header pad	S	S	S	S
Floor mats 5/8"	S	S	S	S
Roof vents	2	2	2	2
Brush tray on dress door	S	S	n/a	n/a
Square feed bags (1) each stall	S	S	S	S
Interior head ties (3) per stall	S	S	S	S
Exterior head ties (1) per horse	S	S	S	S
Fuse block	S	S	S	S
Dome lights	2	3	1	2
D.O.T Lighting	S	S	S	S
Empty trailer weight	3200 lbs		2780 lbs	
Limited warranty on all products. See dealer for details.	5yr	7yr	5yr	7yr

HAWK TRAILERS RESERVES THE RIGHT TO CHANGE SPECIFICATIONS AND PRICES WITHOUT NOTICE

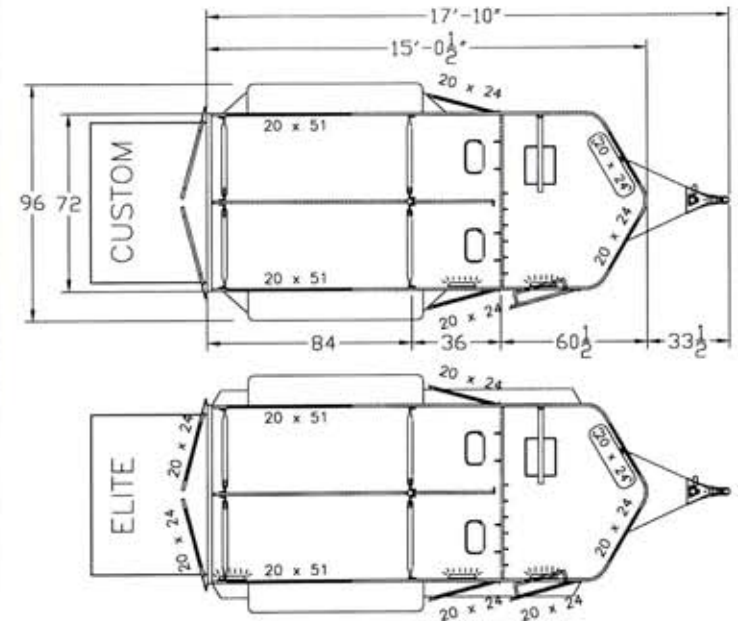
Some trailers pictured with optional equipment.

EFFECTIVE 2020/8

2 Horse Bumper Pull Walk-Thru



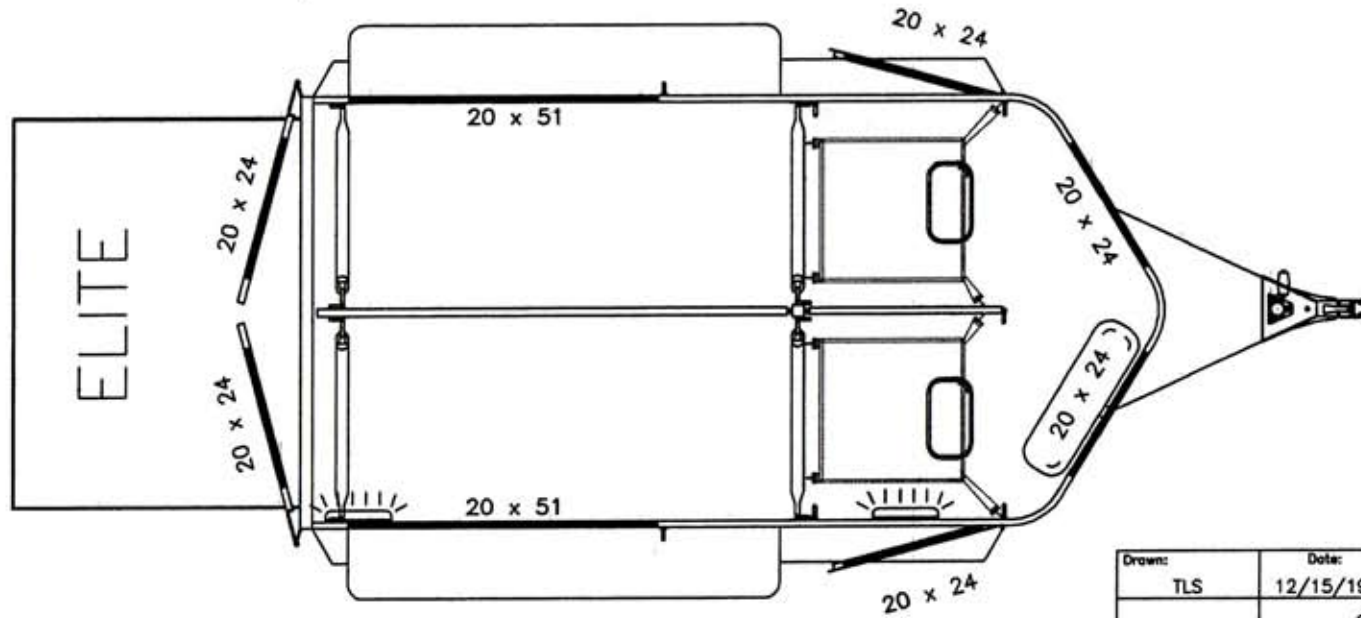
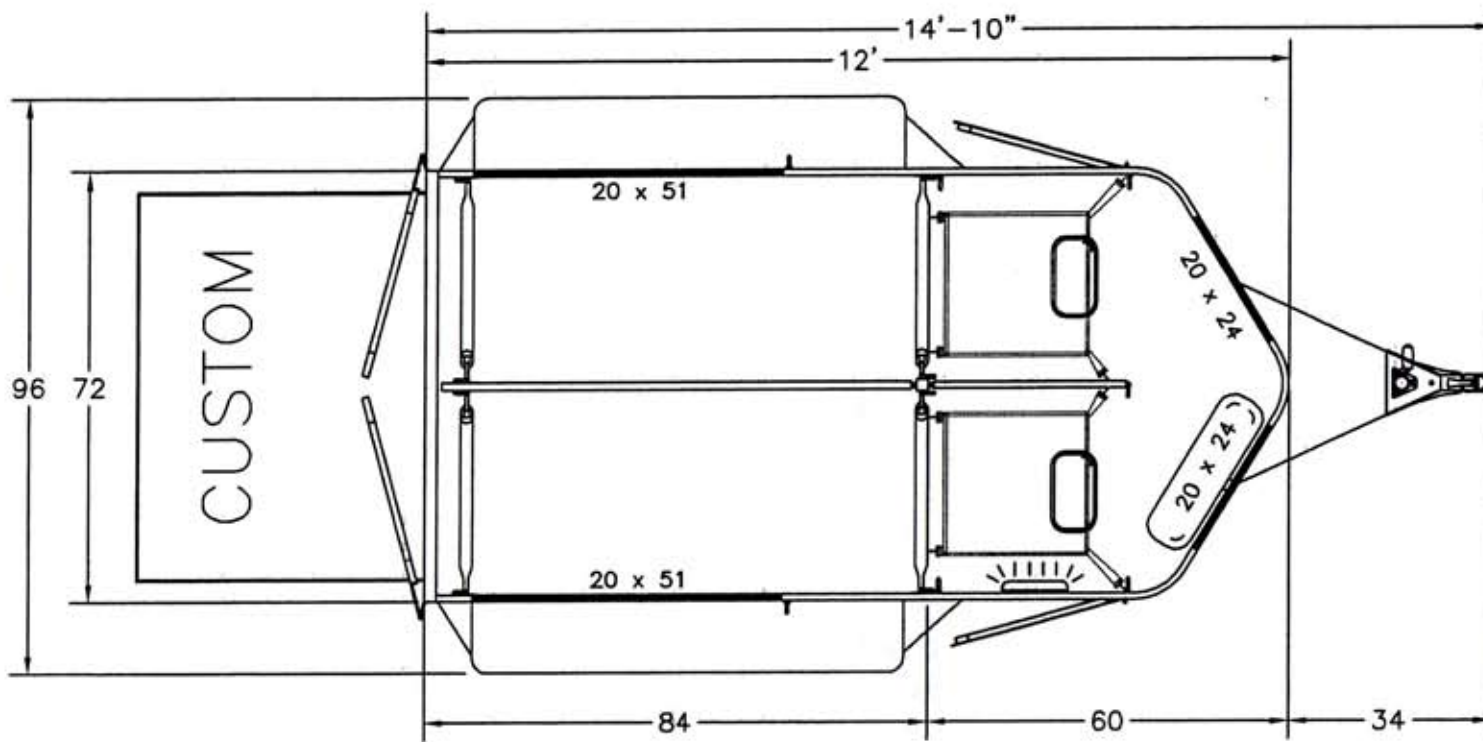
2 Horse Bumper Pull Walk-Thru With Dress




HAWK TRAILERS

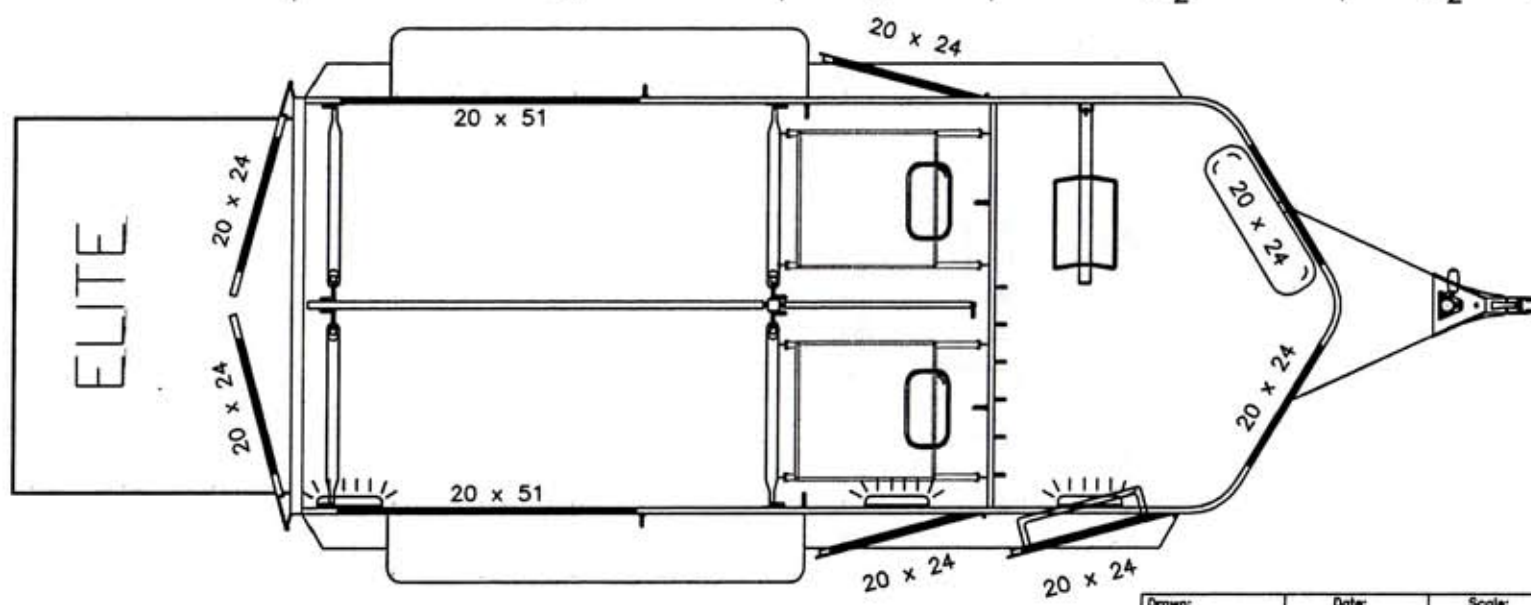
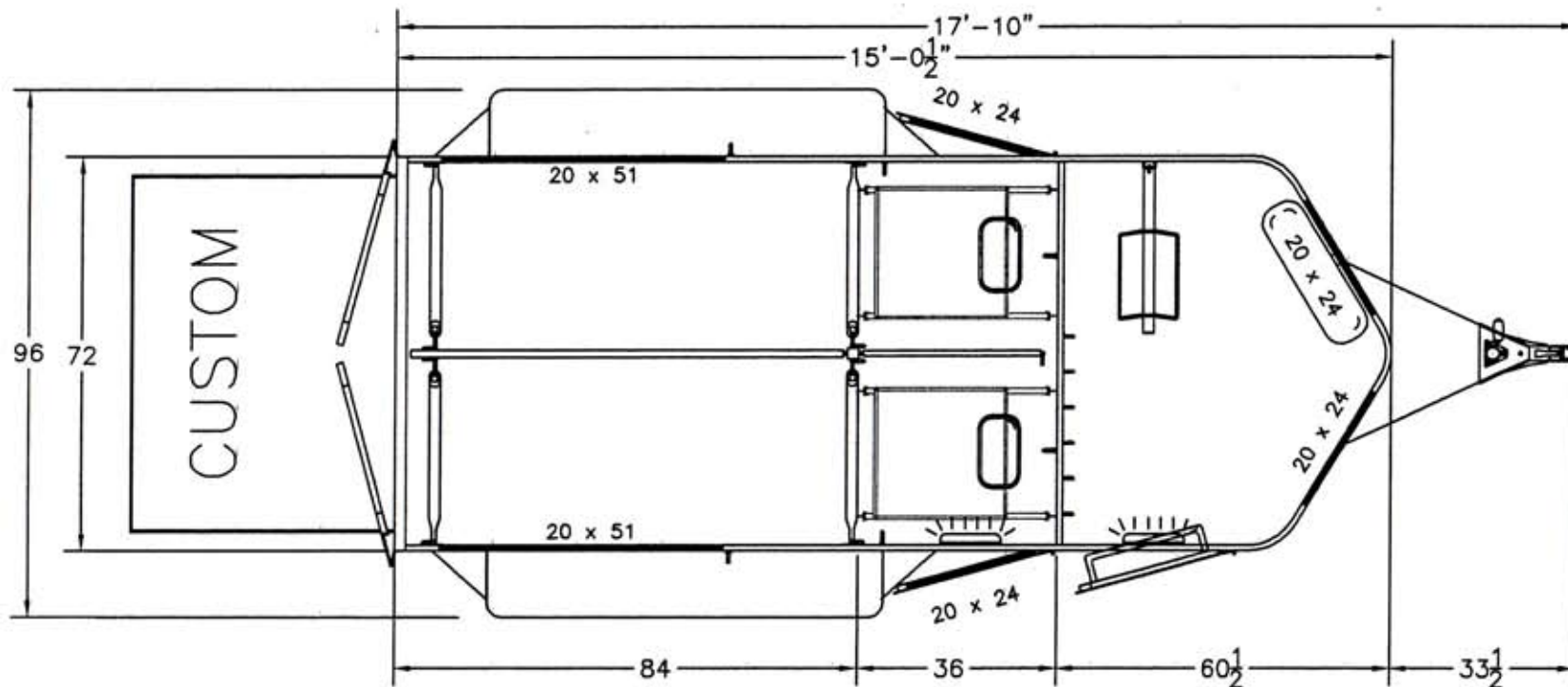
2 Horse Bumper Pull Walk Thru

	w/dress Custom	w/dress Elite	Custom	Elite
Overall Length	17'10"	17'10"	14'10"	14'10"
Width 72"	S	S	S	S
Stall Length 7'	S	S	S	S
Inside Height 7'6"	S	S	S	S
2-5/16" wedge lock coupler	S	S	S	S
Sidewind Jack w/sandfoot in coupler Elite only dollywheel	S	S	S	S
Axle Capacity 7000# w/4 wheel electric brakes	S	S	S	S
ST20575R15(C) Radial Silver rims, Elite Aluminum rims	S	S	S	S
Spare Tire & rim mounted inside no cover	S	S	S	S
Front wedge w/20x24 wdws	S	S	S	S
20x24 wdw in dress door	O	S	n/a	n/a
20x24 wdw in walk thru door	S	S	O	S
Storm doors & stainless steel cam latches	S	S	S	S
Storm door windows 20x24	O	S	O	S
Sidewall wdw 20x51 (1) each side	S	S	S	S
Carpet on floor in dress	S	S	n/a	n/a
Carpet on bulkhead wall	O	S	n/a	n/a
Saddle racks	2	2	O	O
Bridle hook set bolt on (6) aluminum	S	S	O	O
Door tie backs on all doors	S	S	S	S
Aluminum running boards	O	S	O	S
Diamond plate on steps, & tongue	S	S	S	S
Diamond plate on fenders half, full length Elite only	S	S	S	S
Diamond plate on nose, 18" high	O	S	O	S
Rubberline sidewalls	S	S	S	S
Breast/butt bar pads	O	S	O	S
Divider & sidewall pads	1"	2"	1"	2"
Rear header pad	S	S	S	S
Floor mats 5/8"	S	S	S	S
Roof vents	2	2	2	2
Brush tray on dress door	S	S	n/a	n/a
Square feed bags (1) each stall	S	S	S	S
Interior head ties (3) per stall	S	S	S	S
Exterior head ties (1) per horse	S	S	S	S
Fuse block	S	S	S	S
Dome lights	2	3	1	2
Remote switch interior lights	O	S	O	S
D.O.T Lighting	S	S	S	S
Empty trailer weight	3200 lbs		2780 lbs	
Limited warranty on all products. See dealer for details.	5yr	7yr	5yr	7yr




2 Horse Bumper Pull Walk-Thru

Drawn: TLS	Date: 12/15/1997	Scale: 1:32	Tolerance: $\pm \frac{1}{16}$	Rev. 12/19/07
2 Horse Bumper Pull Walk-Thru				
 Hawk Trailers MANAWA, WI				



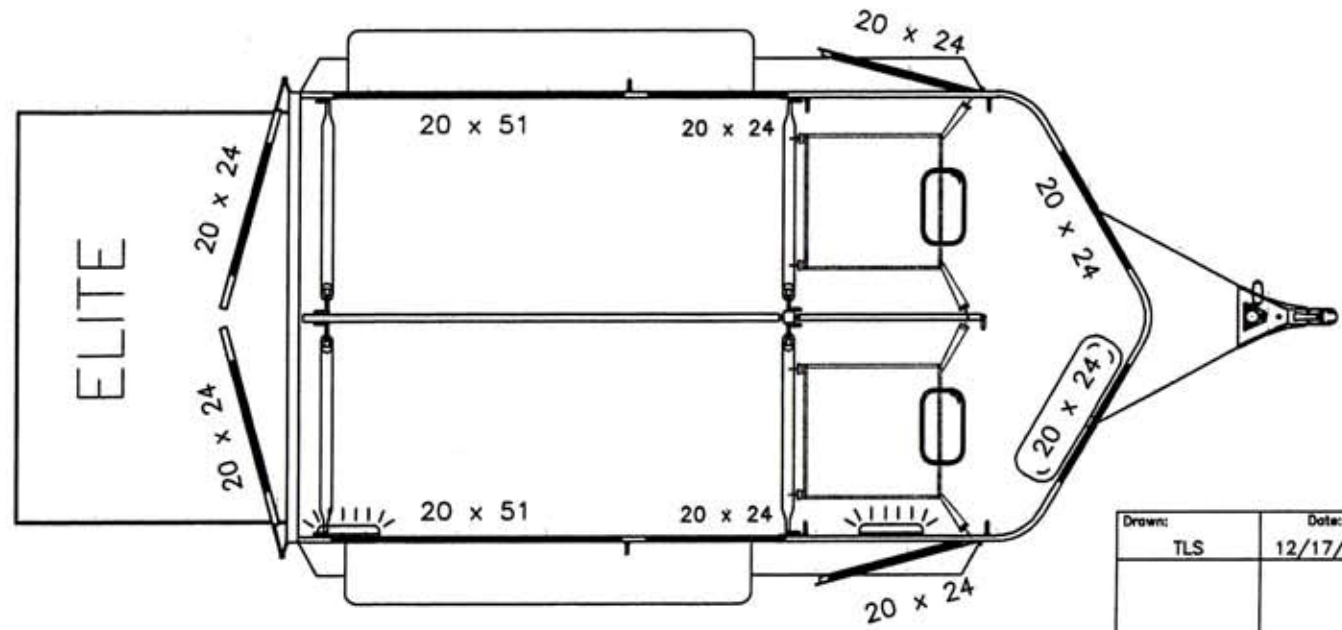
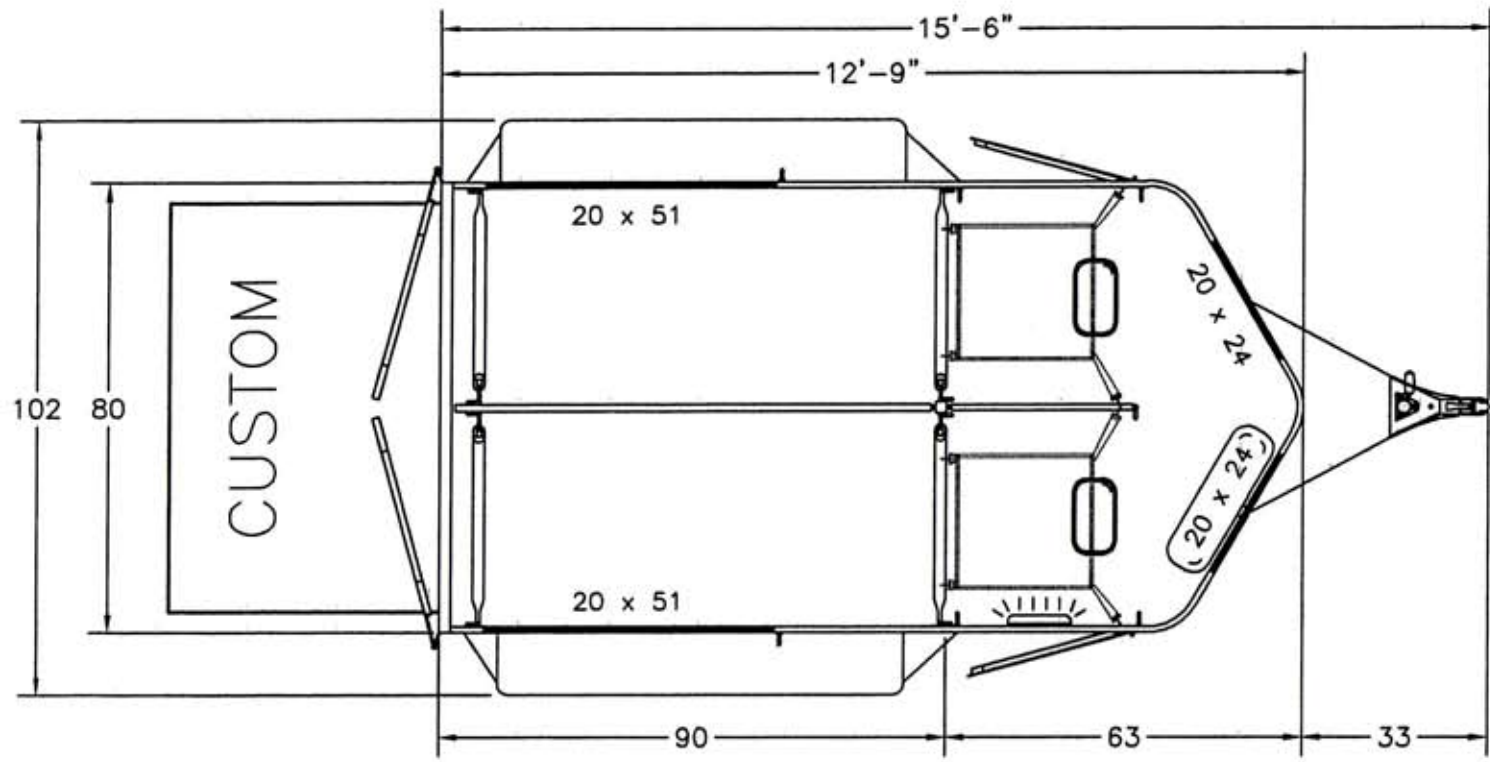
2 Horse Bumper Pull Walk-Thru With Dress

Drawn: TLS	Date: 12/15/1997	Scale: 1:33	Tolerance: $\begin{matrix} + \\ - \end{matrix} \frac{1}{16}$	Rev. 12/19/07
2 Horse Bumper Pull Walk-Thru With Dress				
 Hawk Trailers MANAWA, WI				

HAWK TRAILERS

2 H Bumper Pull Walk Thru Classic

	w/dress Custom	w/dress Elite	Custom	Elite
Overall Length	18'10"	18'10"	15'6"	15'6"
Width 80"	S	S	S	S
Stall Length 7'4"	S	S	S	S
Inside Height 7'8"	S	S	S	S
2-5/16" wedge lock coupler	S	S	S	S
Sidewind Jack w/sandfoot in coupler Elite only dollywheel	S	S	S	S
Axle Capacity 7000# w/4 wheel electric brakes	S	S	S	S
ST20575R15(C) Radial Silver rims, Elite Aluminum rims	S	S	S	S
Spare Tire & rim mounted inside no cover	S	S	S	S
Front wedge w/20x24 wdws	S	S	S	S
20x24 wdw in dress door	O	S	n/a	n/a
20x24 wdw in walk thru door	S	S	O	S
20x24 wdws at horses head area	O	S	O	S
Storm doors & stainless steel cam latches	S	S	S	S
Storm door windows 20x24	O	S	O	S
Sidewall wdw 20x51 (1) each side	S	S	S	S
Carpet on floor in dress	S	S	n/a	n/a
Carpet on bulkhead wall	O	S	n/a	n/a
Saddle racks	2	2	n/a	n/a
Bridle hook set bolt on (6) aluminum	S	S	O	O
Door tie backs on all doors	S	S	S	S
Aluminum running boards	O	S	O	S
Diamond plate on steps, & tongue	S	S	S	S
Diamond plate on fenders half, full length Elite only	S	S	S	S
Diamond plate on nose, 18" high	O	S	O	S
Rubberline sidewalls	S	S	S	S
Breast/butt bar pads	O	S	O	S
Divider & sidewall pads	1"	2"	1"	2"
Rear header pad	S	S	S	S
Floor mats 5/8"	S	S	S	S
Roof vents	2	2	2	2
Brush tray on dress door	S	S	n/a	n/a
Square feed bag (1) per stall	S	S	S	S
Interior head ties (3) per stall	S	S	S	S
Exterior head ties (1) per horse	S	S	S	S
Fuse block	S	S	S	S
Dome lights	2	3	1	2
Remote switch interior lights	O	S	O	S
D.O.T Lighting	S	S	S	S
Empty trailer weight	3700 lbs		3200 lbs	
Limited warranty on all products. See dealer for details.	5yr	7yr	5yr	7yr



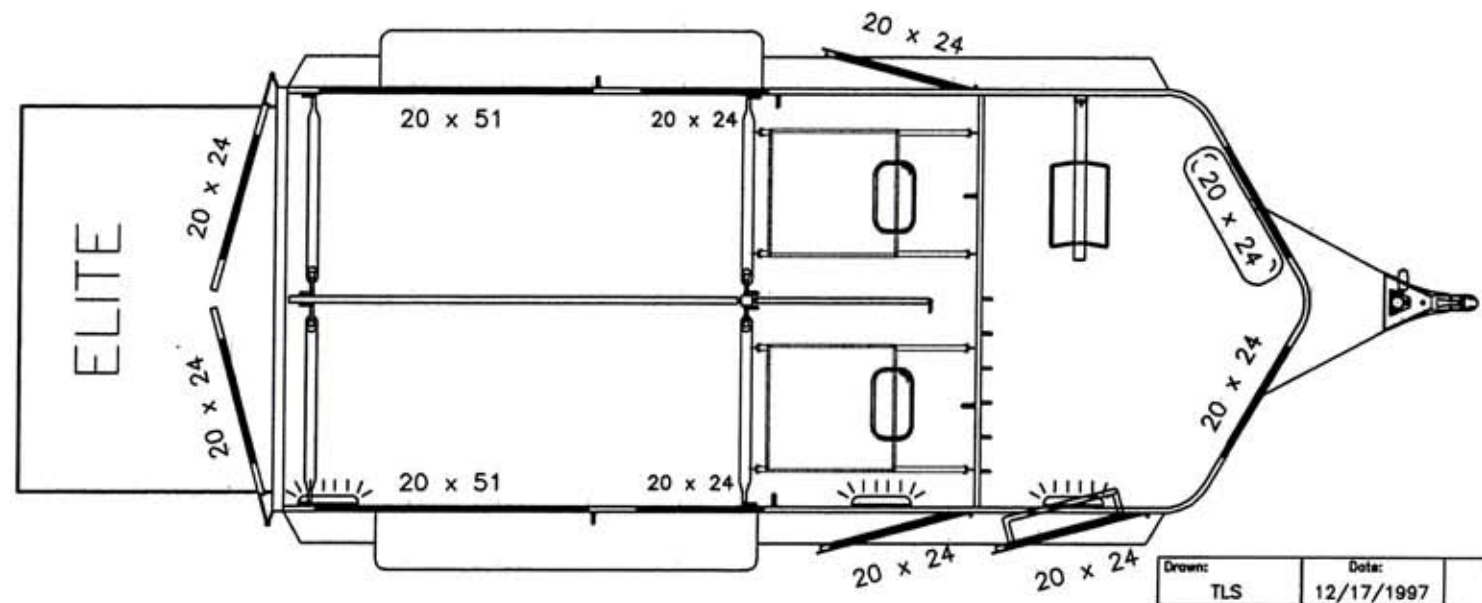
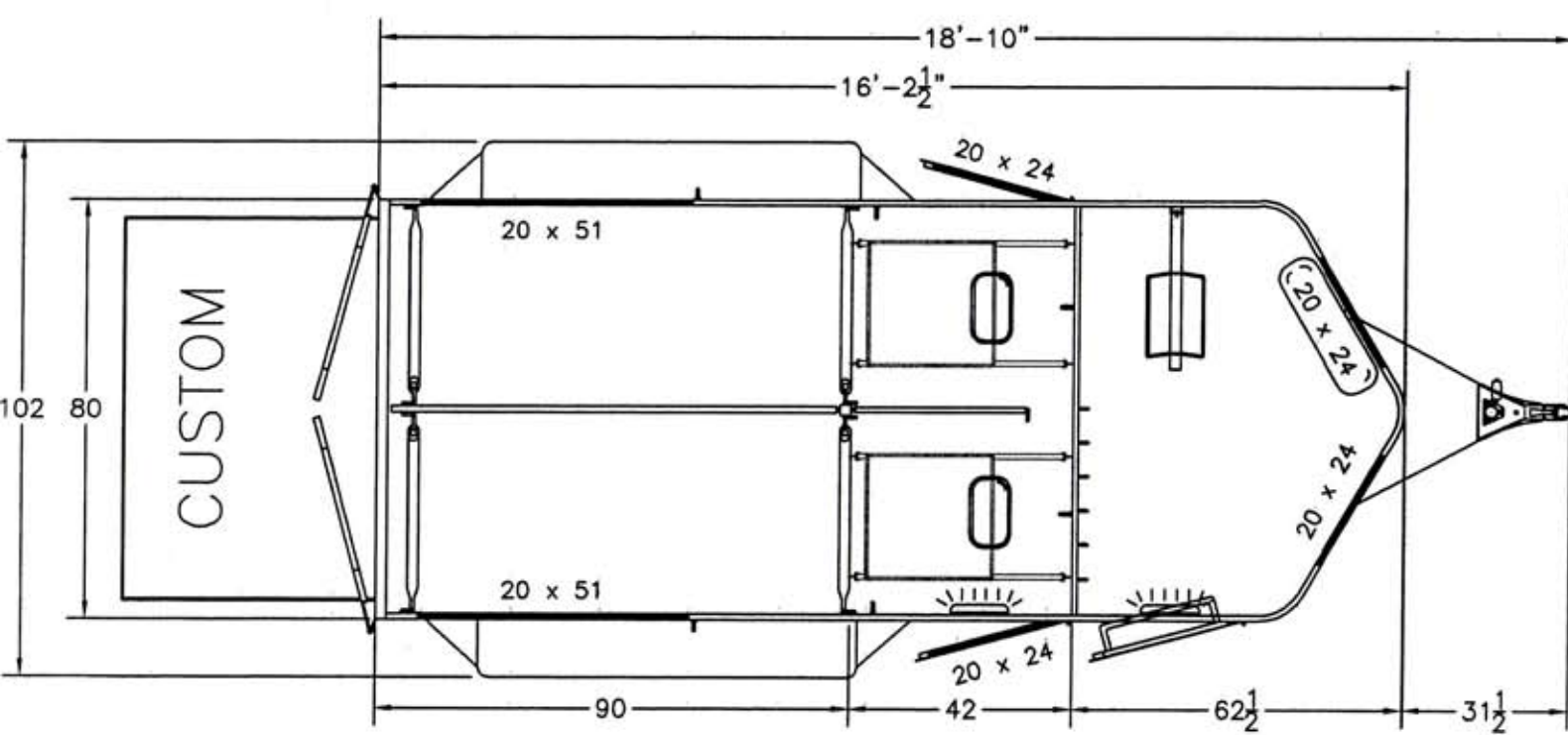
2 Horse Bumper Pull Walk-Thru Classic

Drawn:	Date:	Scale:	Tolerance:	Rev.
TLS	12/17/1997	1:34	$\pm \frac{1}{16}$	12/21/07

2 Horse Bumper Pull
Walk-Thru Classic



Hawk Trailers
MANAWA, WI



2 Horse Bumper Pull Walk-Thru With Dress Classic

Drawn: TLS	Date: 12/17/1997	Scale: 1:36	Tolerance: $\pm \frac{1}{16}$	Rev. 12/21/07
---------------	---------------------	----------------	-------------------------------	---------------

2 Horse Bumper Pull
Walk-Thru With Dress Classic

