

2 & 3 Horse Bumper Pull Slant with Dress



**Safe,
Comfortable,
Versatile
and Stylish.**

HAWK's design experience and attention to detail equals unmatched quality and value. Travel in confidence with the industry leader.

60/40 rear doors provide easy and safe loading.

Standard Features Include:

- Fully Lined and Insulated Walls and Doors
- White or Silver Aluminum Outer Shell
- Custom Painted Accent Color
- Fiberglass Roof and Fenders
- Powder Coated Removable Interior Parts
- T-Coated Latches and Hardware
- Transferrable Warranty
- Sealed Fuse Box



Hawk

T R A I L E R S



2 & 3 Horse Bumper Pull Slant

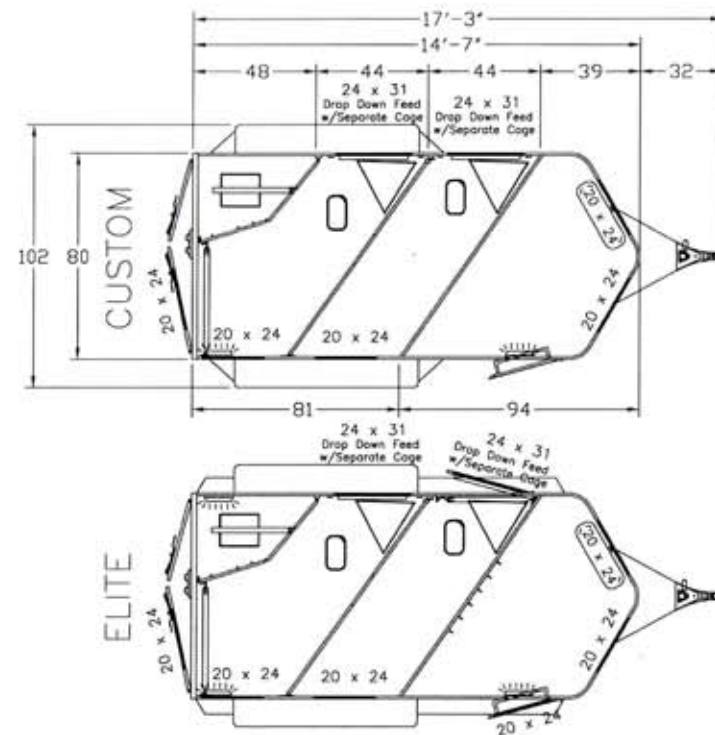
	2 H. Custom	2 H. Elite	3 H. Custom	3 H. Elite
Overall Length	17'3"	17'3"	20'11"	20'11"
Width 80"	S	S	S	S
Stall Width, 44"	S	S	S	S
Inside Height 7'-4"	S	S	S	S
2-5/16" wedge lock coupler	S	S	S	S
Sidewind Jack w/sandfoot in coupler Elite only dollywheel	S	O	S	O
Axle Capacity 7000# w/4 wheel electric brakes	S	S	9900	9900
ST20575R15(C) Radial Silver rims, Elite Aluminum rims	S	S	225D	225D
Spare Tire & rim mounted inside no cover	S	S	S	S
Front wedge w/20x24 wdws	S	S	S	S
20x24 wdw in dress door	O	S	O	S
D.S. Sidewall, 20x24 (1) per horse	S	S	S	S
1/3-2/3 Rear door w/20x24 wdw in 2/3 rear door	S	S	S	S
Fold down feed wdw 24x31 w/separate cage	2	1	3	2
R.S. 35" Escape door w/24x31 drop feed wdw separate cage	O	S	O	S
Carpet on floor in dress	S	S	S	S
Carpet on bulkhead wall	O	S	O	S
Saddle racks	2	2	3	3
Bridle hooks weld in (6) Tack wall	S	S	S	S
Bridle hook set bolt on (6) aluminum Dress area	O	S	O	S
Door tie backs on all doors	S	S	S	S
Aluminum running boards	O	S	O	S
Diamond plate on steps, & tongue	S	S	S	S
Diamond plate on fenders half, full length Elite only	S	S	S	S
Diamond plate on nose, 18" high	O	S	O	S
48" high kickwall rubber no pads	S	S	S	S
48" high kneewall rubber	O	S	O	S
Std height rubber on bulkhead wall	O	S	O	S
48" rubber on 2/3 rear door	O	S	O	S
Padding on bulkhead wall	1"	2"	1"	2"
Kickwall pads	O	O	O	O
Divider pads	1"	2"	1"	2"
Rear header pad	S	S	S	S
Floor mats 5/8"	S	S	S	S
Roof vents	2	2	3	3
Brush tray on dress door	S	S	S	S
Triangle feed bag (1) per stall	S	S	S	S
Interior head ties (3) per stall	S	S	S	S
Exterior head ties (1) per horse	S	S	S	S
Fuse block	S	S	S	S
Dome lights	2	3	3	4
D.O.T Lighting	S	S	S	S
Empty trailer weight	3560 lbs		4200 lbs	
Limited warranty on all products. See dealer for details.	5yr	7yr	5yr	7yr

HAWK TRAILERS RESERVES THE RIGHT TO CHANGE SPECIFICATIONS AND PRICES WITHOUT NOTICE

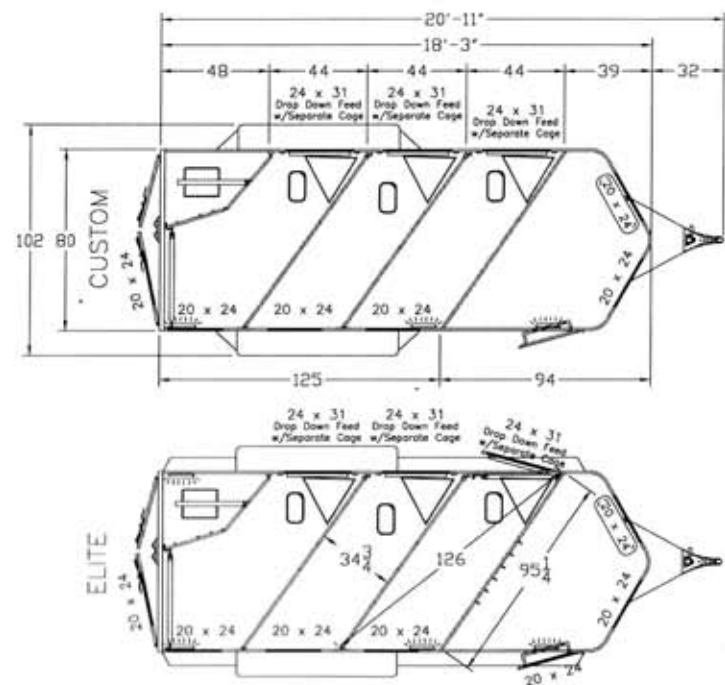
Some trailers pictured with optional equipment.

EFFECTIVE 3/27/04

2 Horse Bumper Pull Slant With Dress

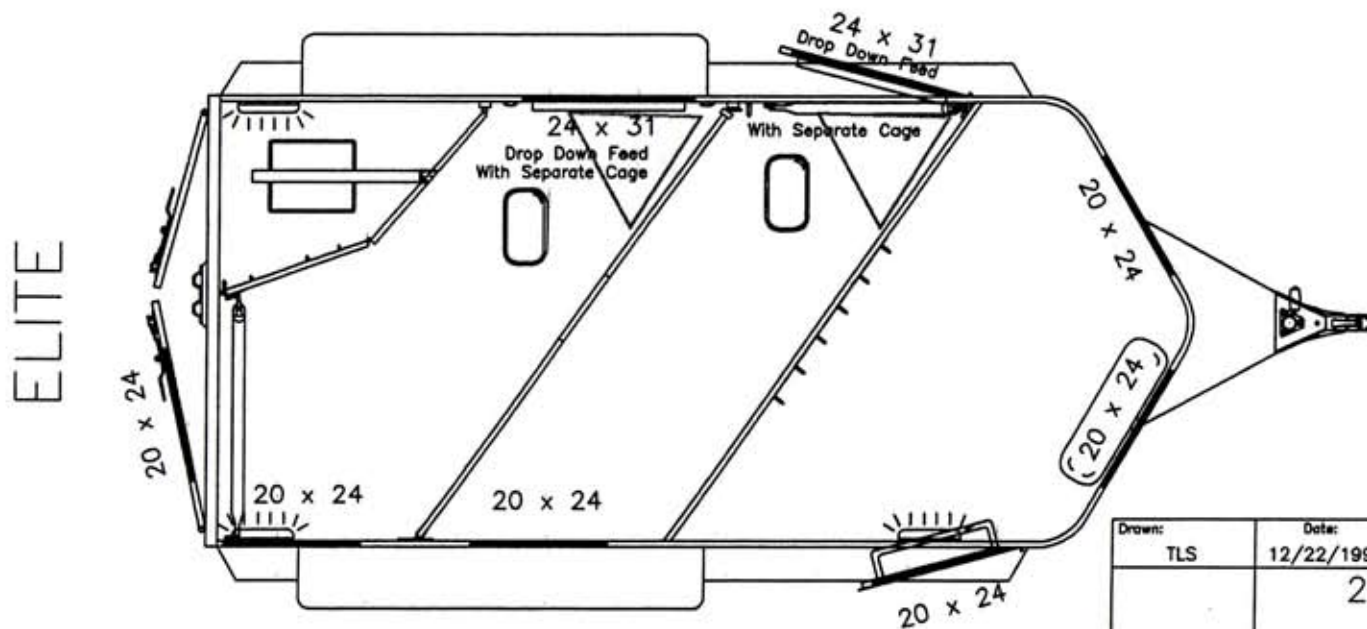
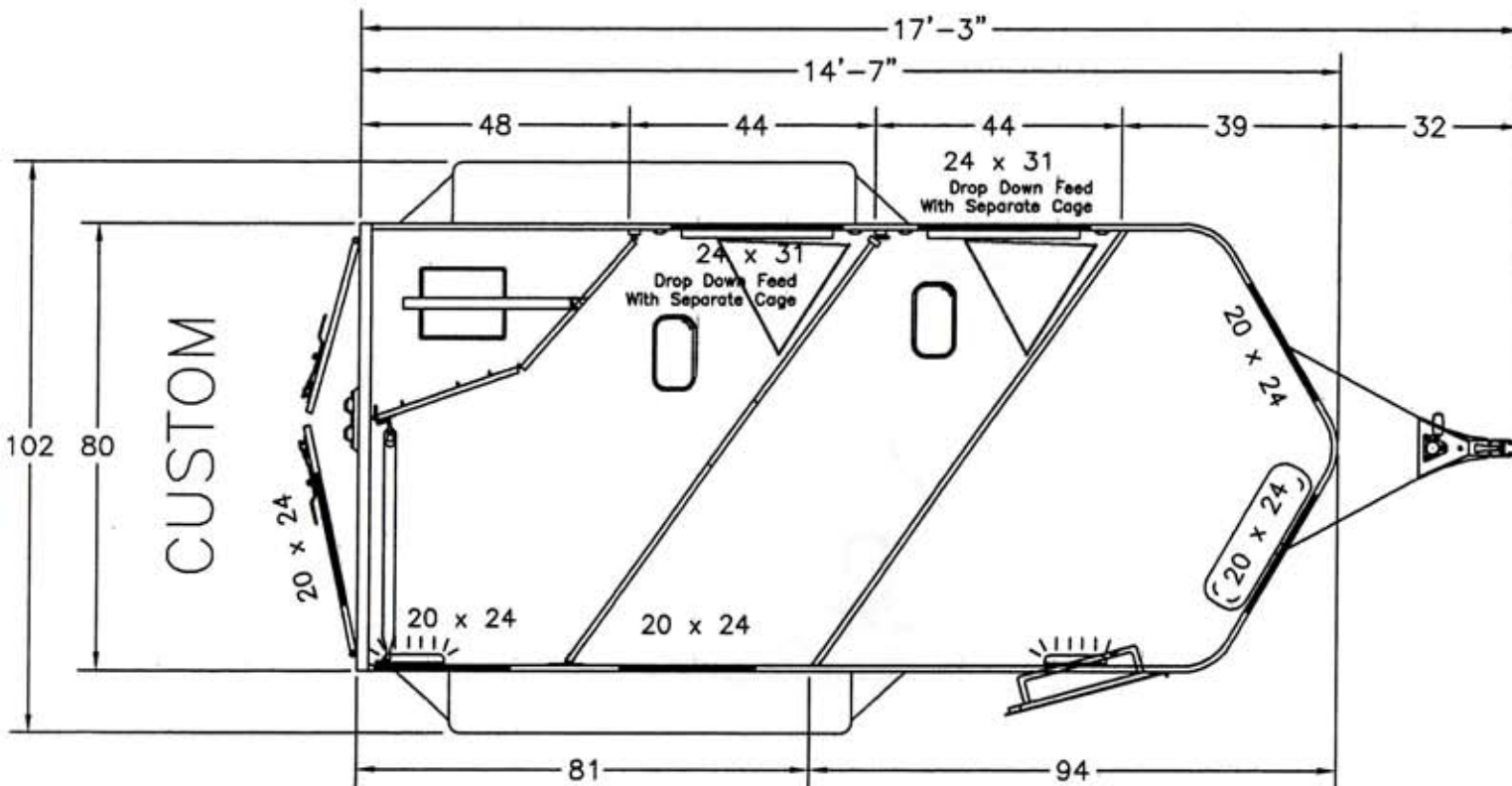


3 Horse Bumper Pull Slant With Dress




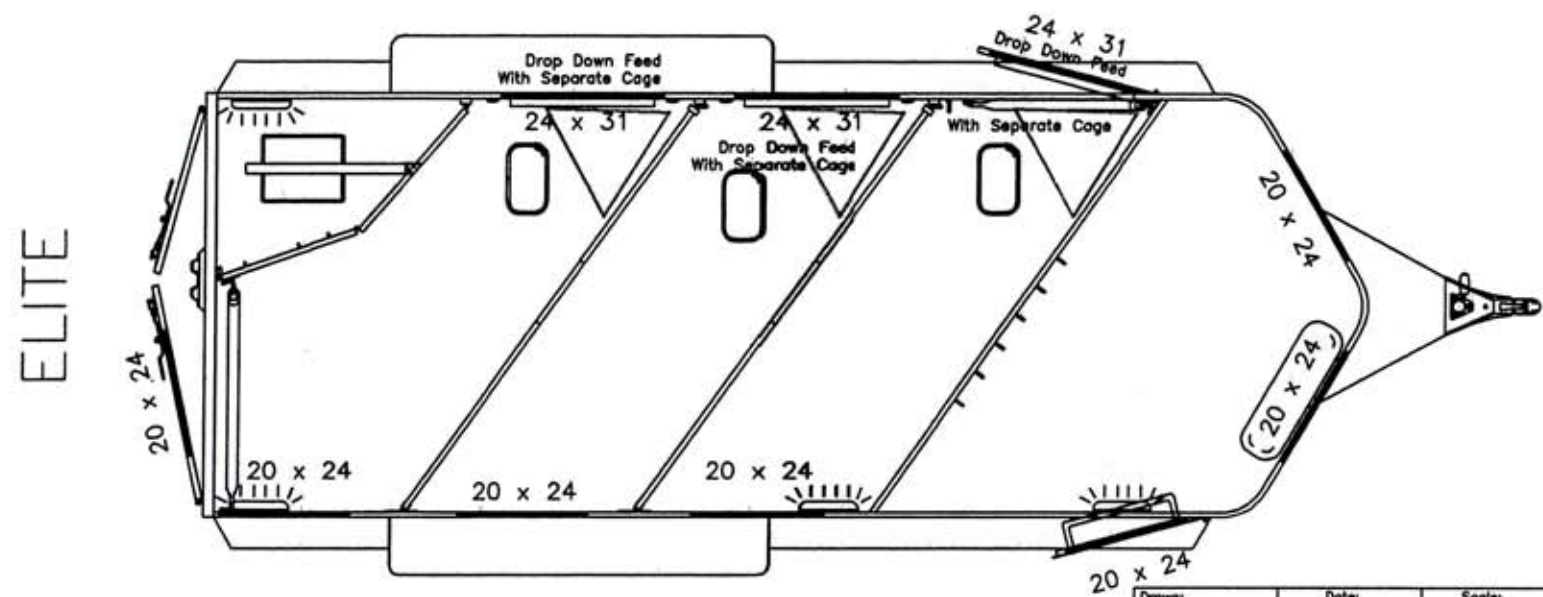
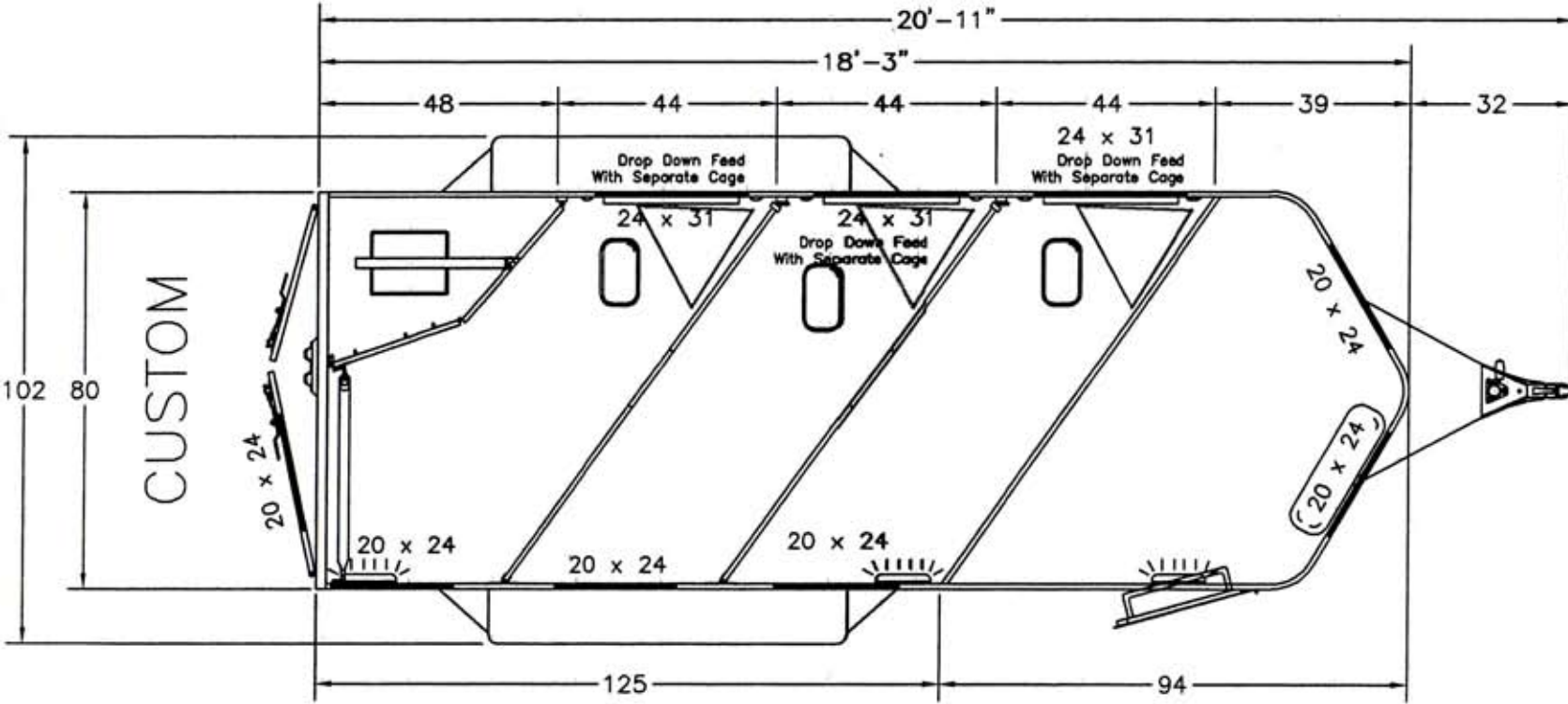
HAWK TRAILERS

	2 & 3 Horse Bumper Pull Slant			
	2 H. Custom 17'3"	2 H. Elite 17'3"	3 H. Custom 20'11"	3 H. Elite 20'11"
Overall Length	S	S	S	S
Width 80"	S	S	S	S
Stall Width, 44"	S	S	S	S
Inside Height 7'-4"	S	S	S	S
2-5/16" wedge lock coupler	S	S	S	S
Sidewind Jack w/sandfoot in coupler Elite only dollywheel	S	O	S	O
Axle Capacity 7000# w/4 wheel electric brakes	S	S	9900	9900
ST20575R15(C) Radial Silver rims, Elite Aluminum rims	S	S	225D	225D
Spare Tire & rim mounted inside no cover	S	S	S	S
Front wedge w/20x24 wdws	S	S	S	S
20x24 wdw in dress door	O	S	O	S
D.S. Sidewall, 20x24 (1) per horse	S	S	S	S
1/3-2/3 Rear door w/20x24 wdw in 2/3 rear door	S	S	S	S
Fold down feed wdw 24x31 w/separate cage	2	1	3	2
R.S. 35" Escape door w/24x31 drop feed wdw separate cage	O	S	O	S
Carpet on floor in dress	S	S	S	S
Carpet on bulkhead wall	O	S	O	S
Saddle racks	2	2	3	3
Bridle hooks weld in (6) Tack wall	S	S	S	S
Bridle hook set bolt on (6) aluminum Dress area	O	S	O	S
Door tie backs on all doors	S	S	S	S
Aluminum running boards	O	S	O	S
Diamond plate on steps, & tongue	S	S	S	S
Diamond plate on fenders half, full length Elite only	S	S	S	S
Diamond plate on nose, 18" high	O	S	O	S
48" high kickwall rubber no pads	S	S	S	S
48" high kneewall rubber	O	S	O	S
Std height rubber on bulkhead wall	O	S	O	S
48" rubber on 2/3 rear door	O	S	O	S
Padding on bulkhead wall	1"	2"	1"	2"
Kickwall pads	O	O	O	O
Divider pads	1"	2"	1"	2"
Rear header pad	S	S	S	S
Floor mats 5/8"	S	S	S	S
Roof vents	2	2	3	3
Brush tray on dress door	S	S	S	S
Triangle feed bag (1) per stall	S	S	S	S
Interior head ties (3) per stall	S	S	S	S
Exterior head ties (1) per horse	S	S	S	S
Fuse block	S	S	S	S
Dome lights	2	3	3	4
Remote switch interior lights	O	S	O	S
D.O.T Lighting	S	S	S	S
Empty trailer weight	3560 lbs		4200 lbs	
Limited warranty on all products. See dealer for details.	5yr	7yr	5yr	7yr




2 Horse Bumper Pull Slant With Dress

Drawn: TLS	Date: 12/22/1997	Scale: 1:34	Tolerance: $\pm \frac{1}{16}$	Rev. 3/26/04
2 Horse Bumper Pull Slant w/Dress				
 Hawk Trailers MANAWA, WI				



3 Horse Bumper Pull Slant With Dress

Drawn: TLS	Date: 12/22/1997	Scale: 1:36	Tolerance: $\pm \frac{1}{16}$	Rev. 3/26/04
3 Horse Bumper Pull Slant w/Dress				
 Hawk Trailers MANAWA, WI				